

RKP 31



Short description

Electrical channel shutter

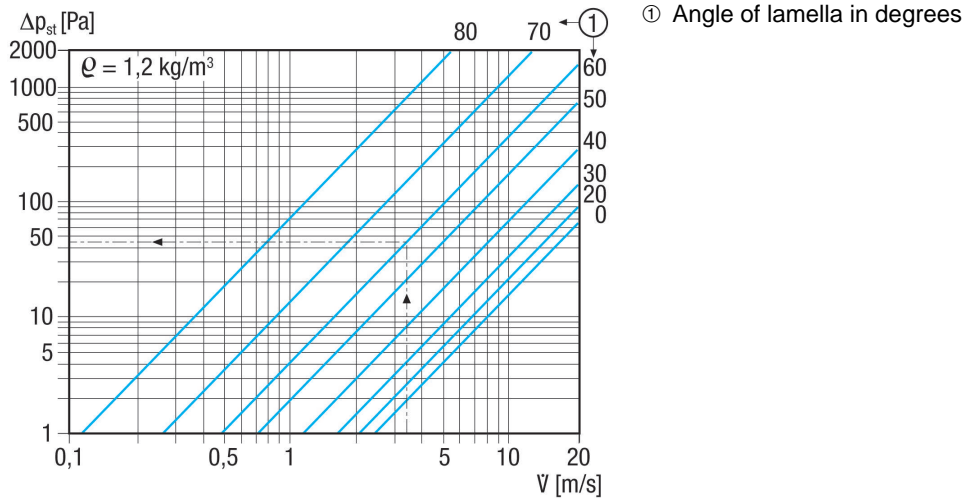
Article number 0151.0238

Technical data

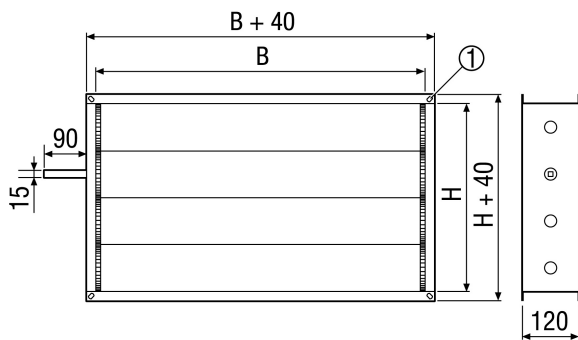
Air direction	Ventilation and air extraction
Installation site	Channel
Installation position	vertical / horizontal
Material	Sheet steel, galvanised
Weight	6,56 kg
Weight including packaging	6,86 kg
Type of shutter	electrical
Channel dimension	600 mm x 350 mm
Width	640 mm
Height	390 mm
Depth	120 mm
Width with packaging	740 mm
Height with packaging	390 mm
Depth with packaging	130 mm
Packing unit	1 piece
Range	D
GTIN (EAN)	4012799512387

RKP 31

Characteristic curve Pressure losses



Dimensioned drawing [mm]



B	H
600	350

① Slot, 9 x 12 mm