

RKP 56



Short description

Electrical channel shutter for 1,000 mm x 500 mm ventilation channels

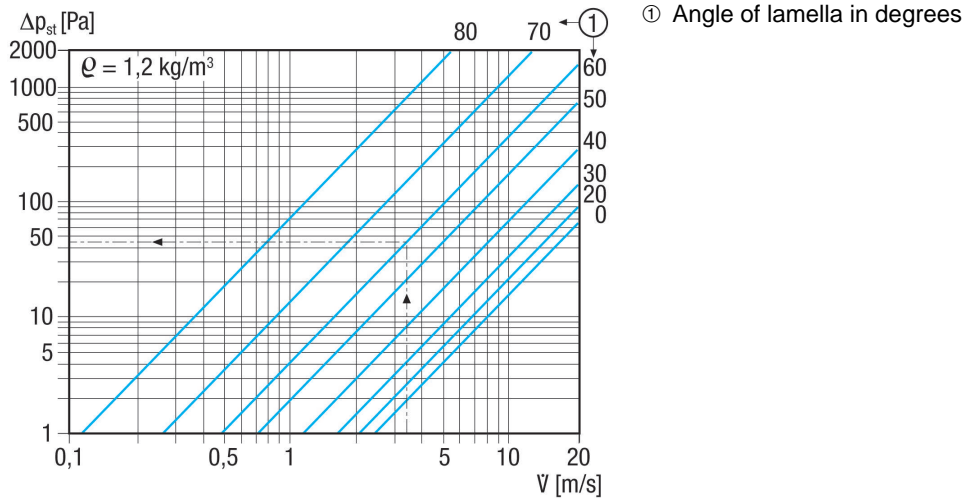
Article number 0151.0241

Technical data

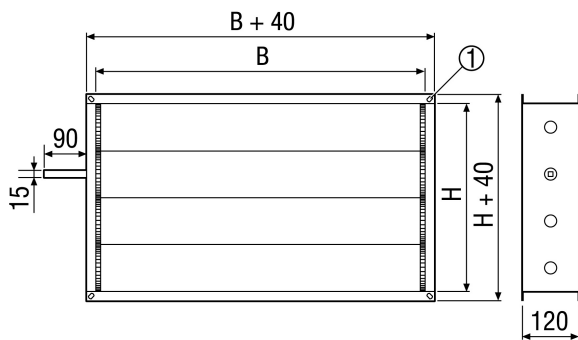
Air direction	Ventilation and air extraction
Installation site	Channel
Installation position	vertical / horizontal
Material	Sheet steel, galvanised
Weight	11,77 kg
Weight including packaging	12,24 kg
Type of shutter	electrical
Channel dimension	1.000 mm x 500 mm
Width	1.040 mm
Height	540 mm
Depth	120 mm
Width with packaging	1.140 mm
Height with packaging	540 mm
Depth with packaging	130 mm
Packing unit	1 piece
Range	D
GTIN (EAN)	4012799512417

RKP 56

Characteristic curve Pressure losses



Dimensioned drawing [mm]



B	H
1.000	500

① Slot, 9 x 12 mm