

# RSK 100



## Short description

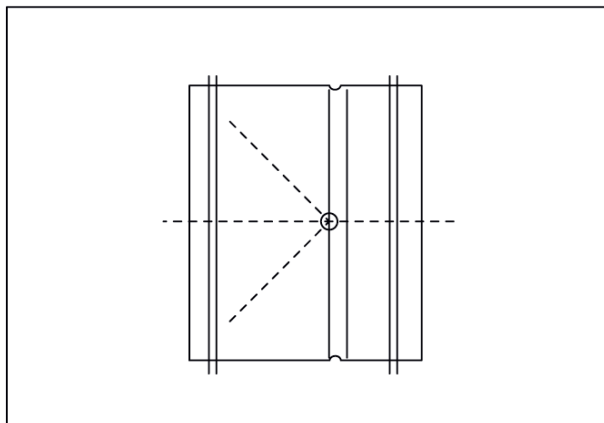
Backflow preventer for folded spiral-seams ducts, DN 100

Article number 0092.0426

## Technical data

Type of installation	Recessed-mounted
Ambient temperature	60 °C
Packing unit	1 piece
Range	K
GTIN (EAN)	4012799924265

## Dimensioned drawing [mm]



DN  
100