

RSK 150



Short description

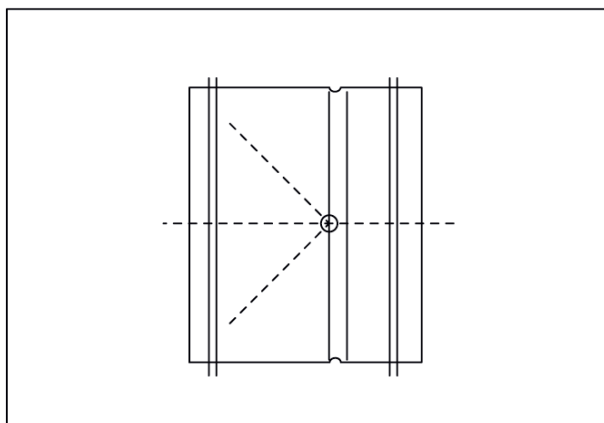
Backflow preventer for folded spiral-seams ducts, DN 150

Article number 0092.0428

Technical data

Type of installation	Recessed-mounted
Ambient temperature	60 °C
Packing unit	1 piece
Range	K
GTIN (EAN)	4012799924289

Dimensioned drawing [mm]



DN

150