

# RS 35



## Short description

Shutter, manual operation, DN 355

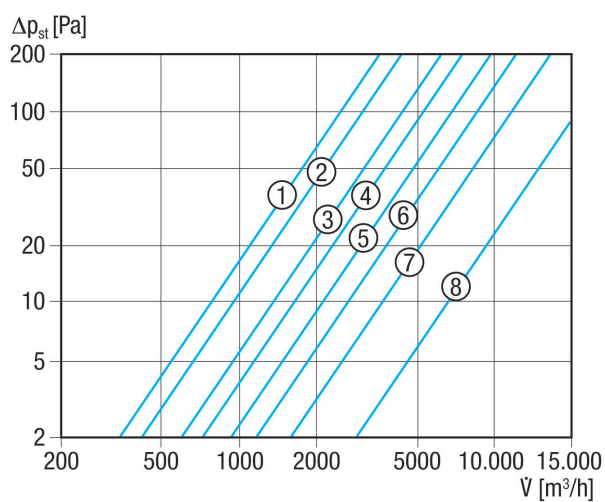
Article number 0151.0341

## Technical data

Air direction	Ventilation and air extraction
Installation	outside
Installation site	Wall
Installation position	vertical
Material	Synthetic material, weather and UV resistant
Colour	Traffic white, similar to RAL 9016
Lamella colour	Silver grey
Weight	1,52 kg
Weight including packaging	1,82 kg
Type of shutter	electrical / manual
Nominal size	355 mm
Width	420 mm
Height	420 mm
Depth	40 mm
Width with packaging	485 mm
Height with packaging	435 mm
Depth with packaging	50 mm
Ambient temperature	60 °C
Packing unit	1 piece
Range	C
GTIN (EAN)	4012799513414

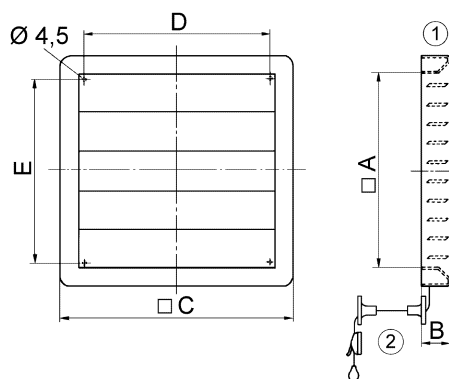
# RS 35

## Characteristic curve Pressure losses



- ① RS 20
- ② RS 25
- ③ RS 30
- ④ RS 35
- ⑤ RS 40
- ⑥ RS 45
- ⑦ RS 50
- ⑧ RS 60

## Dimensioned drawing [mm]



A	B	C	D	E
360	40	420	355	338

- ① Manually adjustable
- ② Pulley for pull cord