

# SB 12/16



## Short description

Sound absorber box made from plastic with sound insulation, with two service openings, DN 125 feed duct (with SVR plug connector) or DN 160 feed duct with folded spiral-seam duct

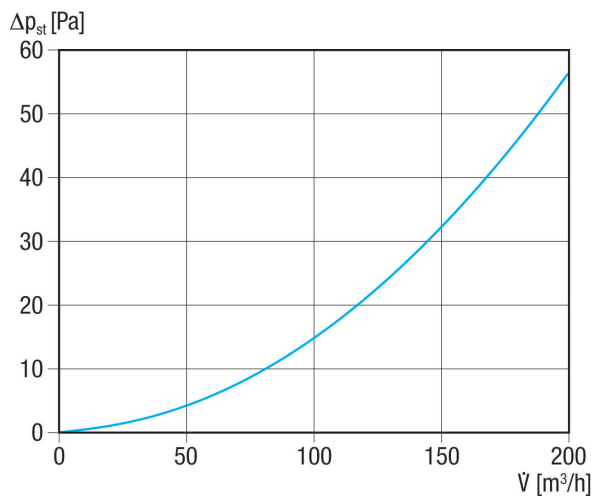
Article number 0059.0995

## Technical data

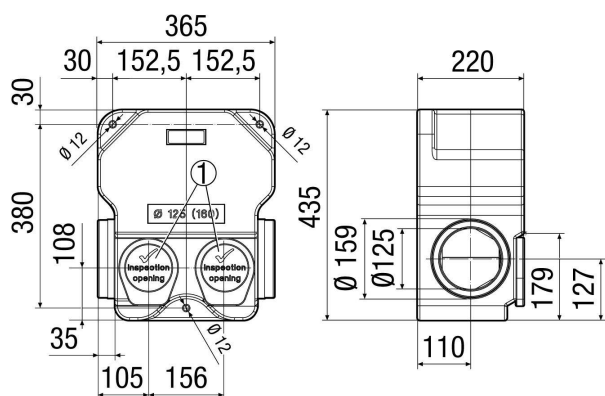
Material	Plastic EPP
Weight	1,74 kg
Weight including packaging	1,77 kg
Width	435 mm
Height	365 mm
Depth	220 mm
Width with packaging	645 mm
Height with packaging	370 mm
Depth with packaging	225 mm
Insertion loss at 63 Hz	2 dB
Insertion loss at 125 Hz	8 dB
Insertion loss at 250 Hz	12 dB
Insertion loss at 500 Hz	20 dB
Insertion loss at 1 kHz	38 dB
Insertion loss at 2 kHz	47 dB
Insertion loss at 4 kHz	40 dB
Insertion loss at 8 kHz	35 dB
Total insertion loss	
Insertion loss note	
Packing unit	1 piece
Range	K
GTIN (EAN)	4012799599951

# SB 12/16

## Characteristic curve



## Dimensioned drawing [mm]



① Service opening