

SDS 18



Short description

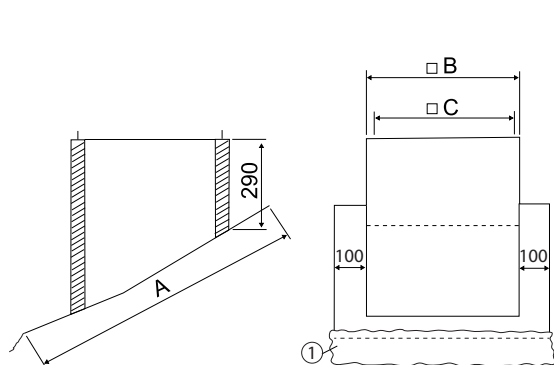
Flat roof socket for assembly of roof fans on tiled roofs, standard models for up to 30° roof pitch, DN 180

Article number 0093.1028

Technical data

Model	roof incline of up to 30°
Housing material	Sheet steel, galvanised
Weight	9,56 kg
Weight including packaging	10,56 kg
Suitable for nominal size	180 mm
Width	665 mm
Height	290 mm
Depth	765 mm
Width with packaging	800 mm
Height with packaging	600 mm
Depth with packaging	430 mm
Packing unit	1 piece
Range	C
GTIN (EAN)	4012799990345

Dimensioned drawing [mm]



A	B	C
765	465	420
① Lead flashing		