

SDS 22



Short description

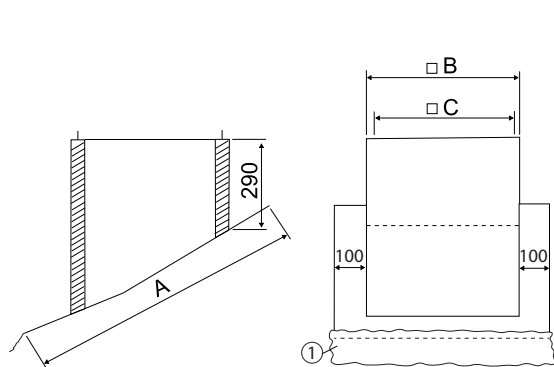
Flat roof socket for assembly of roof fans on tiled roofs, standard models for up to 30° roof pitch, DN 225 mm

Article number 0093.0952

Technical data

Model	roof incline of up to 30°
Housing material	Sheet steel, galvanised
Weight	11,7 kg
Weight including packaging	12,7 kg
Suitable for nominal size	225 mm
Width	705 mm
Height	290 mm
Depth	805 mm
Width with packaging	900 mm
Height with packaging	700 mm
Depth with packaging	530 mm
Packing unit	1 piece
Range	C
GTIN (EAN)	4012799939528

Dimensioned drawing [mm]



A	B	C
805	505	460
① Lead flashing		