

# SDS 31



## Short description

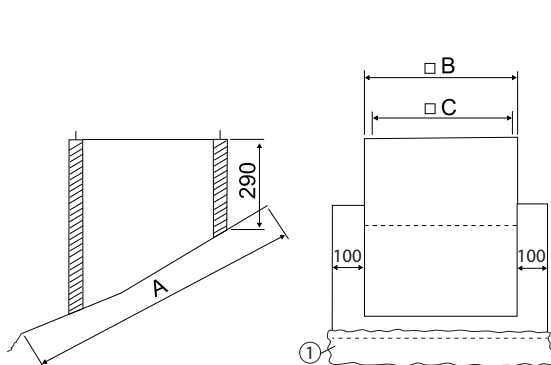
Flat roof socket for assembly of roof fans on tiled roofs, standard models for up to 30° roof pitch, DN 315 mm

Article number 0093.0978

## Technical data

Model	roof incline of up to 30°
Housing material	Sheet steel, galvanised
Weight	31,5 kg
Weight including packaging	32,5 kg
Suitable for nominal size	315 mm
Width	815 mm
Height	290 mm
Depth	915 mm
Width with packaging	910 mm
Height with packaging	910 mm
Depth with packaging	850 mm
Packing unit	1 piece
Range	C
GTIN (EAN)	4012799939788

## Dimensioned drawing [mm]



A	B	C
915	615	570
① Lead flashing		