

SD 18



Short description

Socket sound absorbers for suction side sound insulation of roof fans, DN 180 mm

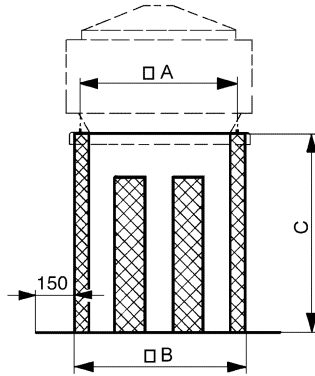
Article number 0092.0337

Technical data

Min. flow velocity	
Max. flow velocity	20 m/s
Housing material	Sheet steel, galvanised
Weight	25 kg
Weight including packaging	25 kg
Suitable for nominal size	180 mm
Width	765 mm
Height	850 mm
Depth	765 mm
Width with packaging	765 mm
Height with packaging	850 mm
Depth with packaging	765 mm
Insertion loss at 63 Hz	
Insertion loss at 125 Hz	4 dB
Insertion loss at 250 Hz	10 dB
Insertion loss at 500 Hz	18 dB
Insertion loss at 1 kHz	22 dB
Insertion loss at 2 kHz	14 dB
Insertion loss at 4 kHz	15 dB
Insertion loss at 8 kHz	
Total insertion loss	15 dB
Insertion loss note	
Packing unit	1 piece
Range	C
GTIN (EAN)	4012799923374

SD 18

Dimensioned drawing [mm]



A	B	C
420	465	850