

SD 22



Short description

Socket sound absorbers for suction side sound insulation of roof fans, DN 225 mm

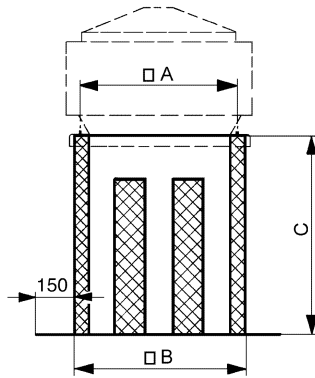
Article number 0092.0338

Technical data

Min. flow velocity	
Max. flow velocity	20 m/s
Housing material	Sheet steel, galvanised
Weight	27,5 kg
Weight including packaging	29 kg
Suitable for nominal size	225 mm
Width	805 mm
Height	850 mm
Depth	805 mm
Width with packaging	806 mm
Height with packaging	875 mm
Depth with packaging	806 mm
Insertion loss at 63 Hz	
Insertion loss at 125 Hz	3 dB
Insertion loss at 250 Hz	6 dB
Insertion loss at 500 Hz	20 dB
Insertion loss at 1 kHz	21 dB
Insertion loss at 2 kHz	23 dB
Insertion loss at 4 kHz	30 dB
Insertion loss at 8 kHz	
Total insertion loss	9 dB
Insertion loss note	
Packing unit	1 piece
Range	C
GTIN (EAN)	4012799923381

SD 22

Dimensioned drawing [mm]



A	B	C
460	505	850