

SD 25



Short description

Socket sound absorbers for suction side sound insulation of roof fans, DN 250 mm

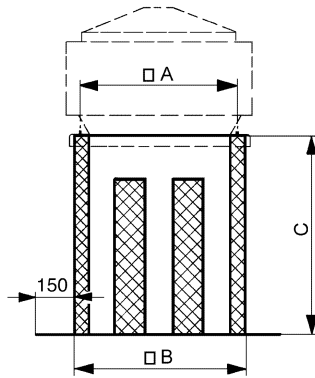
Article number 0092.0339

Technical data

Min. flow velocity	
Max. flow velocity	20 m/s
Housing material	Sheet steel, galvanised
Weight	29,2 kg
Weight including packaging	29,2 kg
Suitable for nominal size	250 mm
Width	845 mm
Height	850 mm
Depth	845 mm
Width with packaging	845 mm
Height with packaging	850 mm
Depth with packaging	845 mm
Insertion loss at 63 Hz	
Insertion loss at 125 Hz	2 dB
Insertion loss at 250 Hz	5 dB
Insertion loss at 500 Hz	21 dB
Insertion loss at 1 kHz	19 dB
Insertion loss at 2 kHz	22 dB
Insertion loss at 4 kHz	25 dB
Insertion loss at 8 kHz	
Total insertion loss	7 dB
Insertion loss note	
Packing unit	1 piece
Range	C
GTIN (EAN)	4012799923398

SD 25

Dimensioned drawing [mm]



A	B	C
500	545	850