

SD 31



Short description

Socket sound absorbers for suction side sound insulation of roof fans, DN 315 mm

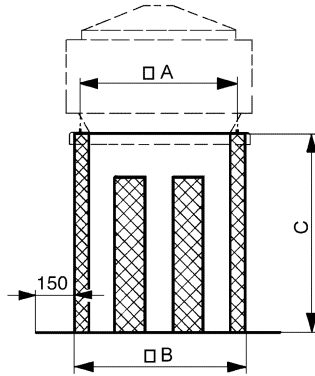
Article number 0092.0340

Technical data

Min. flow velocity	
Max. flow velocity	20 m/s
Housing material	Sheet steel, galvanised
Weight	33,2 kg
Weight including packaging	35 kg
Suitable for nominal size	315 mm
Width	915 mm
Height	850 mm
Depth	915 mm
Width with packaging	930 mm
Height with packaging	880 mm
Depth with packaging	930 mm
Insertion loss at 63 Hz	
Insertion loss at 125 Hz	
Insertion loss at 250 Hz	5 dB
Insertion loss at 500 Hz	16 dB
Insertion loss at 1 kHz	14 dB
Insertion loss at 2 kHz	17 dB
Insertion loss at 4 kHz	15 dB
Insertion loss at 8 kHz	
Total insertion loss	6 dB
Insertion loss note	
Packing unit	1 piece
Range	C
GTIN (EAN)	4012799923404

SD 31

Dimensioned drawing [mm]



A	B	C
570	615	850