

SD 45



Short description

Socket sound absorbers for suction side sound insulation of roof fans, DN 450 mm

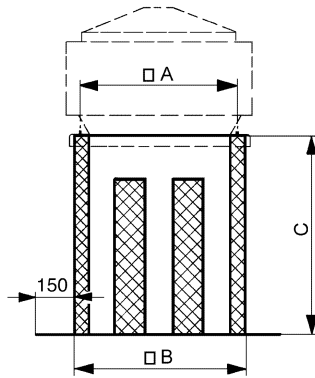
Article number 0092.0343

Technical data

Min. flow velocity	
Max. flow velocity	20 m/s
Housing material	Sheet steel, galvanised
Weight	44 kg
Weight including packaging	45,85 kg
Suitable for nominal size	450 mm
Width	1.085 mm
Height	850 mm
Depth	1.085 mm
Width with packaging	1.085 mm
Height with packaging	850 mm
Depth with packaging	1.085 mm
Insertion loss at 63 Hz	
Insertion loss at 125 Hz	3 dB
Insertion loss at 250 Hz	8 dB
Insertion loss at 500 Hz	18 dB
Insertion loss at 1 kHz	16 dB
Insertion loss at 2 kHz	15 dB
Insertion loss at 4 kHz	15 dB
Insertion loss at 8 kHz	
Total insertion loss	9 dB
Insertion loss note	
Packing unit	1 piece
Range	C
GTIN (EAN)	4012799923435

SD 45

Dimensioned drawing [mm]



A	B	C
740	785	850