

SD 63



Short description

Socket sound absorbers for DN 630

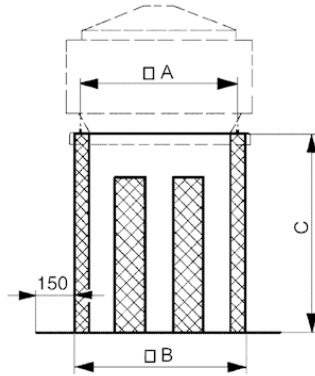
Article number 0092.0346ALT

Technical data

Min. flow velocity	
Max. flow velocity	20 m/s
Housing material	Sheet steel, galvanised
Weight	96
Suitable for nominal size	630 mm
Insertion loss at 63 Hz	
Insertion loss at 125 Hz	2 dB
Insertion loss at 250 Hz	6 dB
Insertion loss at 500 Hz	9 dB
Insertion loss at 1 kHz	17 dB
Insertion loss at 2 kHz	17 dB
Insertion loss at 4 kHz	13 dB
Insertion loss at 8 kHz	8 dB
Total insertion loss	
Insertion loss note	
Packing unit	1 piece
GTIN (EAN)	4012799923466

SD 63

Dimensioned drawing [mm]



Dimensioned drawing [mm]

