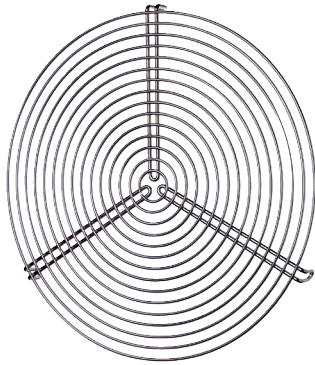


SGR 10



Short description

Protective grille for ventilation and air extraction, metal, DN 100

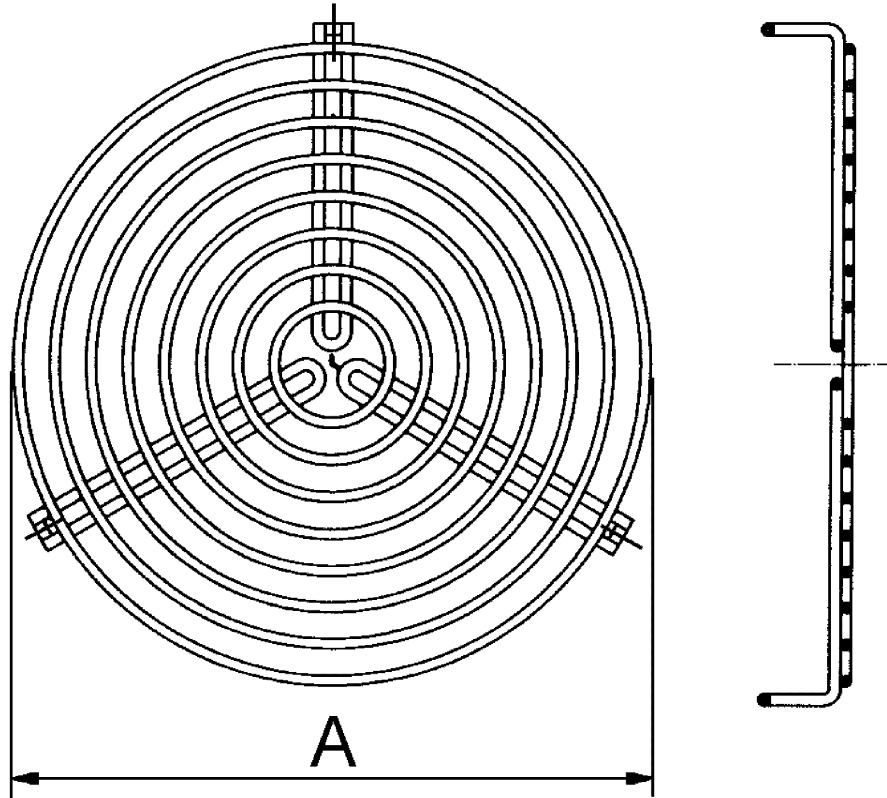
Article number 0150.0123

Technical data

Air direction	Ventilation and air extraction
Material	Wire, chromated
Weight	0,06 kg
Weight including packaging	0,06 kg
Suitable for nominal size	100 mm
Width	100 mm
Height	100 mm
Depth	100 mm
Width with packaging	100 mm
Height with packaging	100 mm
Depth with packaging	100 mm
Packing unit	1 piece
Range	C
GTIN (EAN)	4012799501237

SGR 10

Dimensioned drawing [mm]



A
100