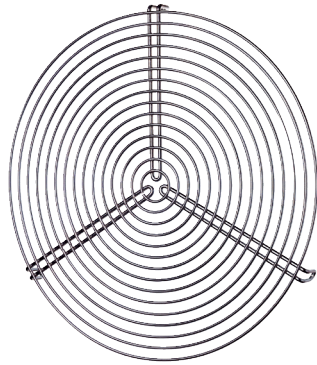


# SGR 31



## Short description

Protective grille for ventilation and air extraction, metal, DN 315

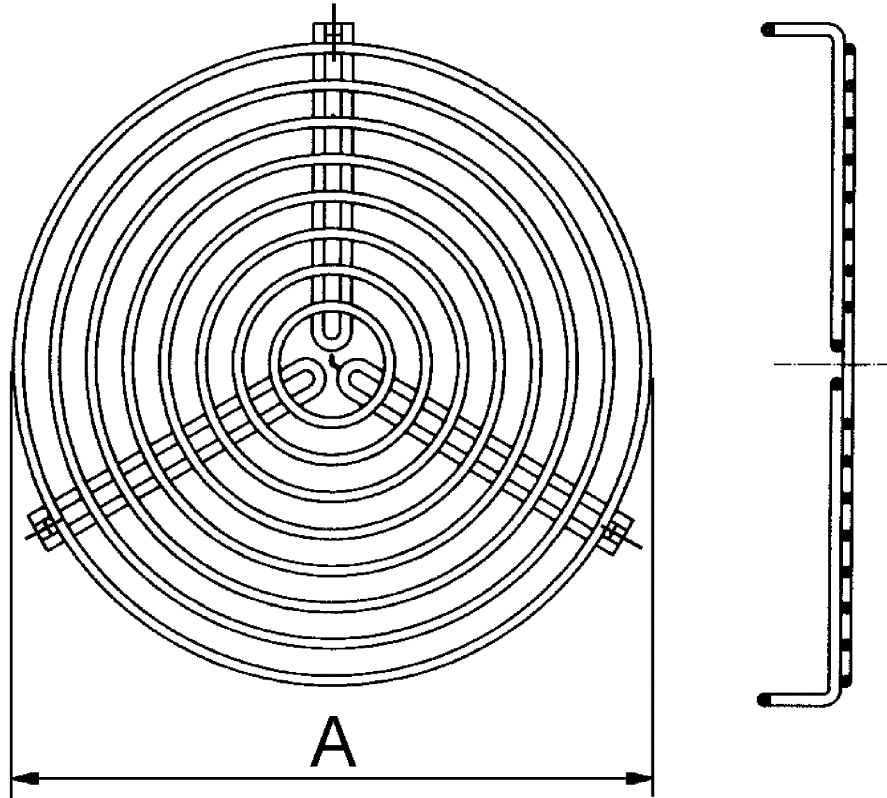
Article number 0150.0128

## Technical data

Air direction	Ventilation and air extraction
Material	Wire, chromated
Weight	0,48 kg
Weight including packaging	0,48 kg
Suitable for nominal size	315 mm
Width	315 mm
Height	315 mm
Depth	320 mm
Width with packaging	315 mm
Height with packaging	315 mm
Depth with packaging	320 mm
Packing unit	1 piece
Range	C
GTIN (EAN)	4012799501282

# SGR 31

Dimensioned drawing [mm]



A  
315