

# SOK 18



## Short description

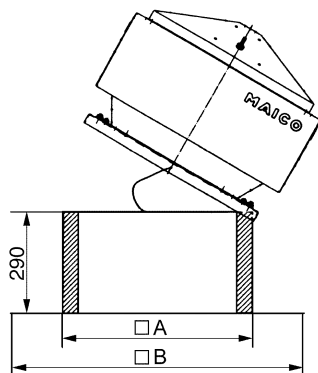
Flat roof socket for assembly of roof fans, with tilting device to move the fan out of the way when working on the ventilation duct, DN 180 mm

Article number 0093.1030

## Technical data

Housing material	Sheet steel, galvanised
Weight	12,66 kg
Weight including packaging	12,7 kg
Swivellable	✓
Suitable for nominal size	180 mm
Width	765 mm
Height	290 mm
Depth	765 mm
Width with packaging	765 mm
Height with packaging	290 mm
Depth with packaging	765 mm
Packing unit	1 piece
Range	C
GTIN (EAN)	4012799990369

## Dimensioned drawing [mm]



A	B
465	765