

SOK 25



Short description

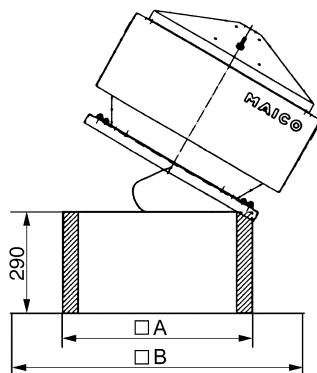
Flat roof socket for assembly of roof fans, with tilting device to move the fan out of the way when working on the ventilation duct, DN 250 mm

Article number 0093.0992

Technical data

Housing material	Sheet steel, galvanised
Weight	14,56 kg
Weight including packaging	14,6 kg
Swivellable	✓
Suitable for nominal size	250 mm
Width	845 mm
Height	290 mm
Depth	845 mm
Width with packaging	845 mm
Height with packaging	290 mm
Depth with packaging	845 mm
Packing unit	1 piece
Range	C
GTIN (EAN)	4012799939924

Dimensioned drawing [mm]



A	B
545	845