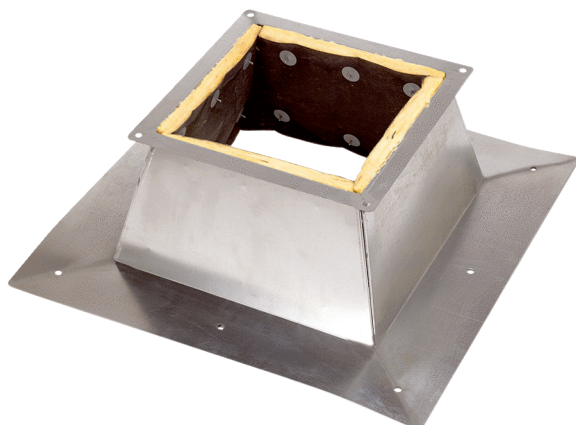


SO 18



Short description

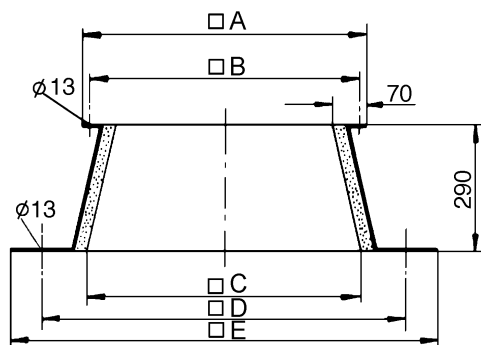
Flat roof socket for assembly of roof fans, DN 180 mm

Article number 0093.0887

Technical data

Housing material	Sheet steel, galvanised
Weight	8,55 kg
Weight including packaging	11,52 kg
Suitable for nominal size	180 mm
Width	820 mm
Height	290 mm
Depth	820 mm
Width with packaging	860 mm
Height with packaging	350 mm
Depth with packaging	880 mm
Packing unit	1 piece
Range	C
GTIN (EAN)	4012799938873

Dimensioned drawing [mm]



A	B	C	D	E
460	420	460	670	820