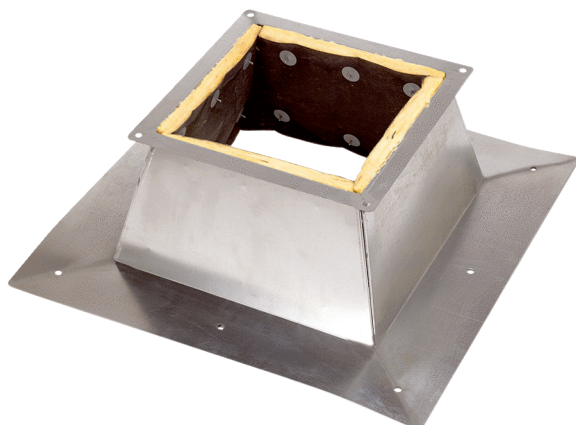


SO 22



Short description

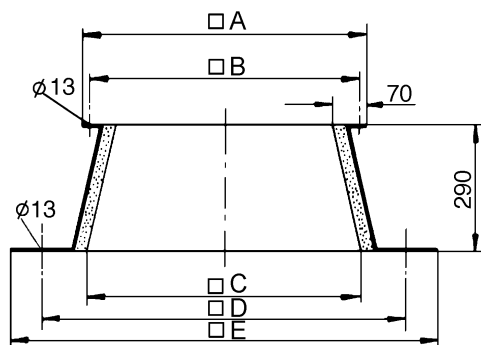
Flat roof socket for assembly of roof fans, DN 224 mm

Article number 0093.0358

Technical data

Housing material	Sheet steel, galvanised
Weight	9,03 kg
Weight including packaging	13 kg
Suitable for nominal size	224 mm
Width	860 mm
Height	290 mm
Depth	860 mm
Width with packaging	880 mm
Height with packaging	300 mm
Depth with packaging	880 mm
Packing unit	1 piece
Range	C
GTIN (EAN)	4012799933588

Dimensioned drawing [mm]



A	B	C	D	E
500	460	500	710	860