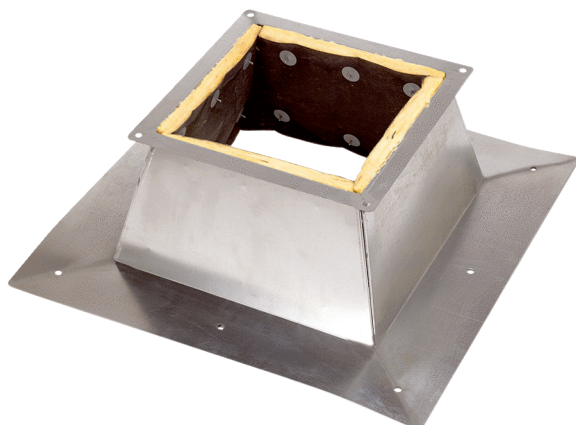


SO 35



Short description

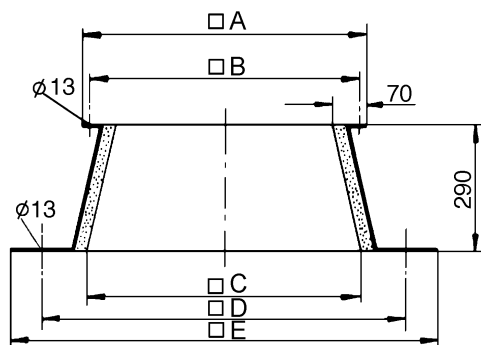
Flat roof socket for assembly of roof fans, DN 355 mm

Article number 0093.0362

Technical data

Housing material	Sheet steel, galvanised
Weight	11,3 kg
Weight including packaging	12,3 kg
Suitable for nominal size	355 mm
Width	1.010 mm
Height	290 mm
Depth	1.010 mm
Width with packaging	1.010 mm
Height with packaging	290 mm
Depth with packaging	1.010 mm
Packing unit	1 piece
Range	C
GTIN (EAN)	4012799933625

Dimensioned drawing [mm]



A	B	C	D	E
650	610	650	860	1.010