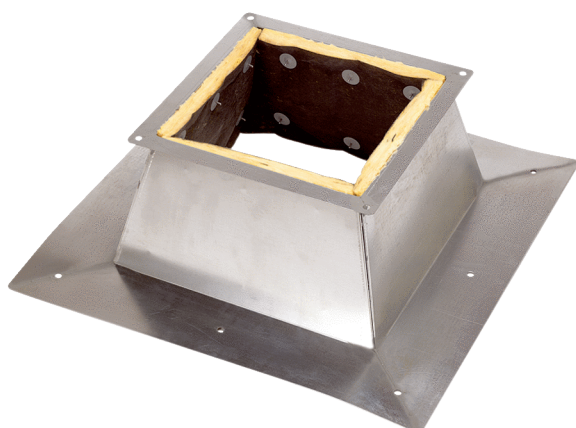


SO 40



Short description

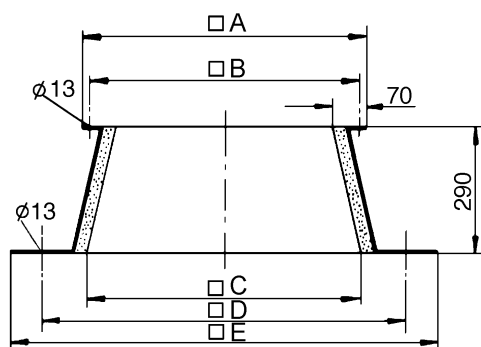
Flat roof socket for assembly of roof fans, DN 400 mm

Article number 0093.0363

Technical data

Housing material	Sheet steel, galvanised
Weight	12 kg
Weight including packaging	17,18 kg
Suitable for nominal size	400 mm
Width	1.050 mm
Height	290 mm
Depth	1.050 mm
Width with packaging	1.050 mm
Height with packaging	290 mm
Depth with packaging	1.050 mm
Packing unit	1 piece
Range	C
GTIN (EAN)	4012799933632

Dimensioned drawing [mm]



A	B	C	D	E
690	650	690	900	1.050