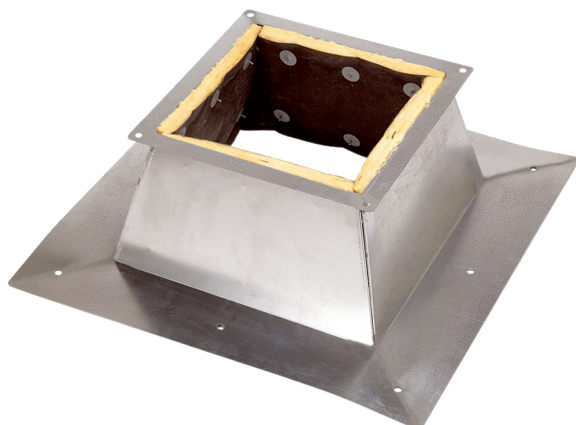


SO 45



Short description

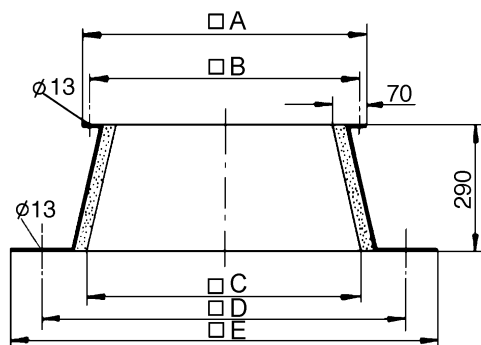
Flat roof socket for assembly of roof fans, DN 450 mm

Article number 0093.0874

Technical data

Housing material	Sheet steel, galvanised
Weight	20 kg
Weight including packaging	24 kg
Suitable for nominal size	450 mm
Width	1.140 mm
Height	290 mm
Depth	1.140 mm
Width with packaging	1.140 mm
Height with packaging	290 mm
Depth with packaging	1.140 mm
Packing unit	1 piece
Range	C
GTIN (EAN)	4012799938743

Dimensioned drawing [mm]



A	B	C	D	E
780	740	780	990	1.140