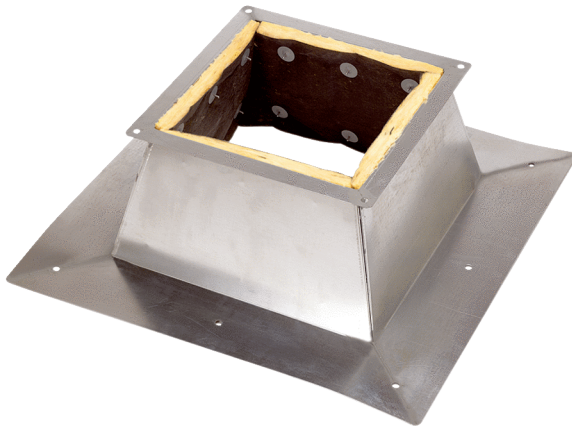


# SO 50



## Short description

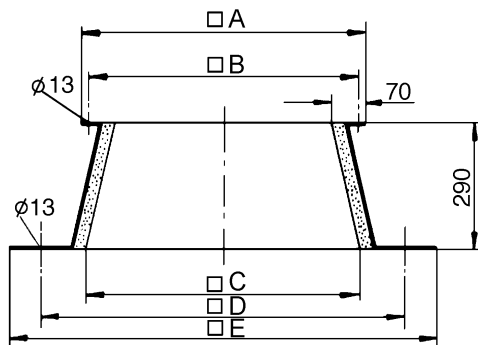
Flat roof socket for assembly of roof fans, DN 500 mm

Article number 0093.0364

## Technical data

Housing material	Sheet steel, galvanised
Weight	22,7 kg
Weight including packaging	23,78 kg
Suitable for nominal size	500 mm
Width	1.200 mm
Height	290 mm
Depth	1.200 mm
Width with packaging	1.200 mm
Height with packaging	290 mm
Depth with packaging	1.200 mm
Packing unit	1 piece
Range	C
GTIN (EAN)	4012799933649

## Dimensioned drawing [mm]



A	B	C	D	E
840	800	840	1.050	1.200