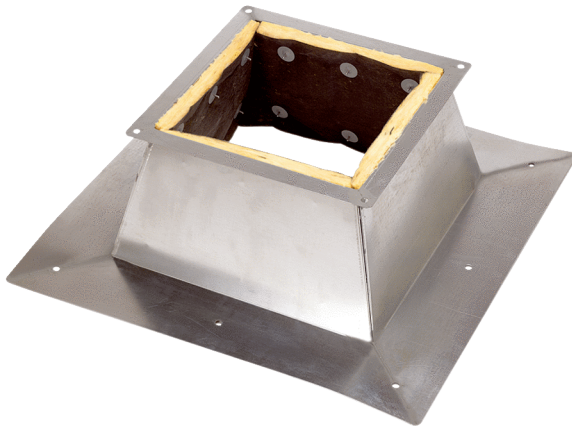


# SO 60



## Short description

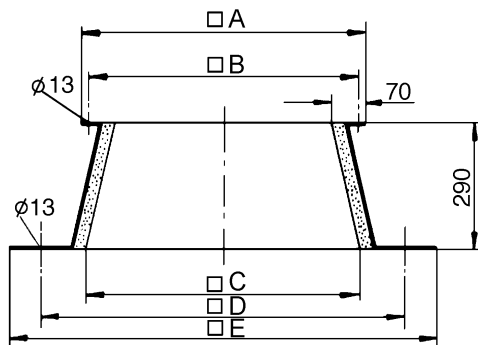
Flat roof socket for assembly of roof fans, DN 600 mm

Article number 0093.0365

## Technical data

Housing material	Sheet steel, galvanised
Weight	28 kg
Weight including packaging	30,05 kg
Suitable for nominal size	600 mm
Width	1.240 mm
Height	290 mm
Depth	1.240 mm
Width with packaging	1.300 mm
Height with packaging	291 mm
Depth with packaging	1.300 mm
Packing unit	1 piece
Range	C
GTIN (EAN)	4012799933656

## Dimensioned drawing [mm]



A	B	C	D	E
880	840	880	1.090	1.240