

# SR 100-100



## Short description

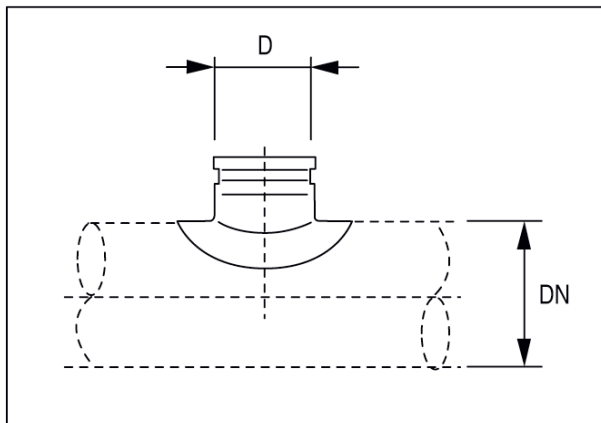
90° welding saddles with O-ring gasket for folded spiral-seams ducts, DN 100 / 100

Article number 0055.0441

## Technical data

Type of installation	Recessed-mounted
Ambient temperature	60 °C
Packing unit	1 piece
Range	K
GTIN (EAN)	4012799554417

## Dimensioned drawing [mm]



DN	D
100	100