

# SR 100-125



## Short description

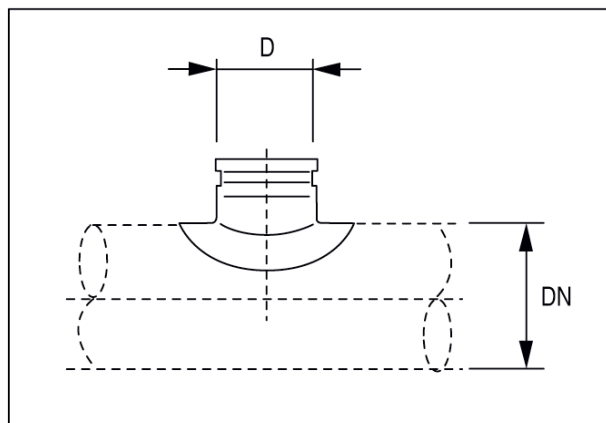
90° welding saddles with O-ring gasket for folded spiral-seams ducts, DN 100 / 112-125

Article number 0055.0442

## Technical data

Type of installation	Recessed-mounted
Ambient temperature	60 °C
Packing unit	1 piece
Range	K
GTIN (EAN)	4012799554424

## Dimensioned drawing [mm]



DN	D
-13	100