

SR 125-224



Short description

90° welding saddles with O-ring gasket for folded spiral-seams ducts, DN 125 / 180-224

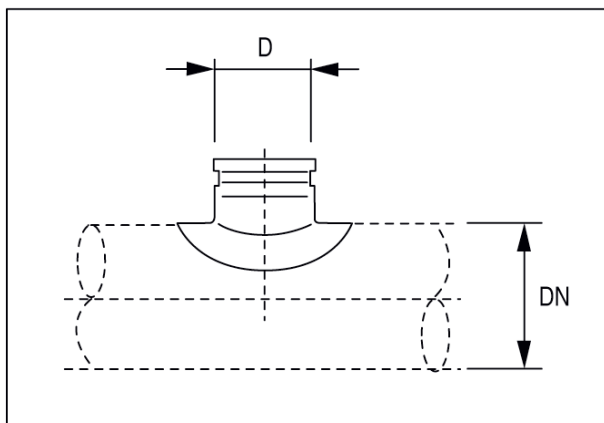
Article number

0055.0447

Technical data

Type of installation	Recessed-mounted
Ambient temperature	60 °C
Packing unit	1 piece
Range	K
GTIN (EAN)	4012799554479

Dimensioned drawing [mm]



DN	D
-44	125