

SR 160-160



Short description

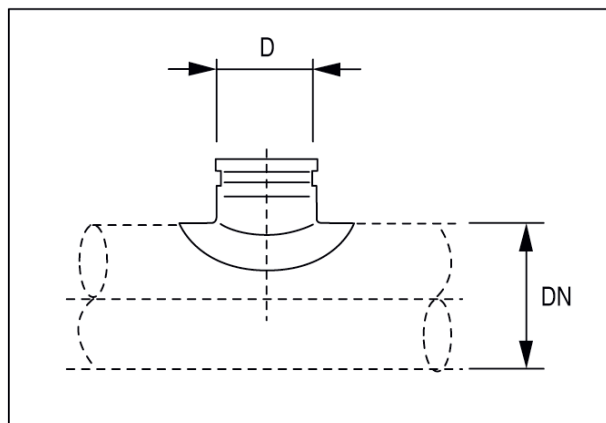
90° welding saddles with O-ring gasket for folded spiral-seams ducts, DN 160 / 160

Article number 0055.0450

Technical data

Type of installation	Recessed-mounted
Ambient temperature	60 °C
Packing unit	1 piece
Range	K
GTIN (EAN)	4012799554509

Dimensioned drawing [mm]



DN	D
160	160