

SR 80-80



Short description

90° welding saddles with O-ring gasket for folded spiral-seams ducts, DN 80 / 80

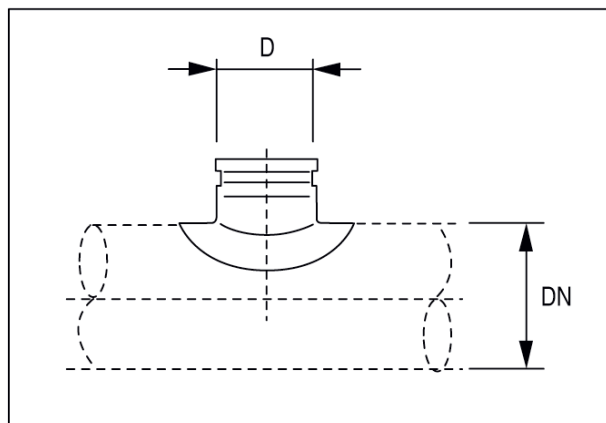
Article number

0055.0437

Technical data

Type of installation	Recessed-mounted
Ambient temperature	60 °C
Packing unit	1 piece
Range	K
GTIN (EAN)	4012799554370

Dimensioned drawing [mm]



DN	D
-10	80