

SVF 100

Short description

Plug connector for adaptor, DN 100

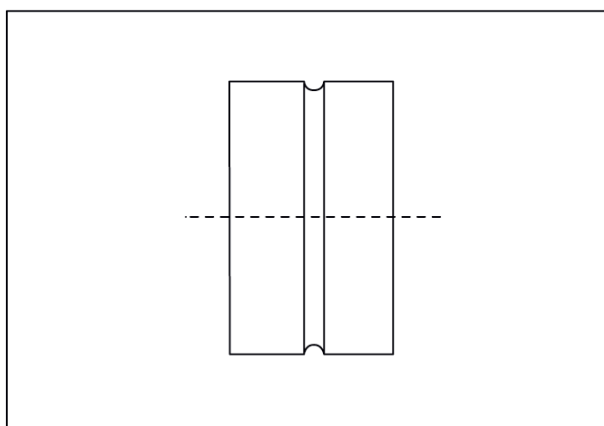


Article number 0055.0050

Technical data

Type of installation	Recessed-mounted
Material	Sheet steel
Nominal size	100 mm
Ambient temperature	60 °C
Packing unit	1 piece
Range	K
GTIN (EAN)	4012799550501

Dimensioned drawing [mm]



DN

100