

# SVF 125

## Short description

Plug connector for adaptor, DN 125

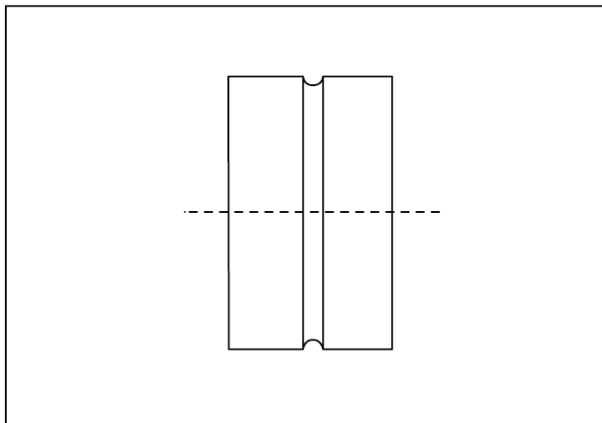


Article number 0055.0051

## Technical data

Type of installation	Recessed-mounted
Material	Sheet steel
Nominal size	125 mm
Ambient temperature	60 °C
Packing unit	1 piece
Range	K
GTIN (EAN)	4012799550518

## Dimensioned drawing [mm]



DN

125