

TFA 12



Short description

Disk valve for exhaust air, sheet steel, white, DN 125, for domestic ventilation max. 60 m³/h, EBR-D 12 mounting frame required

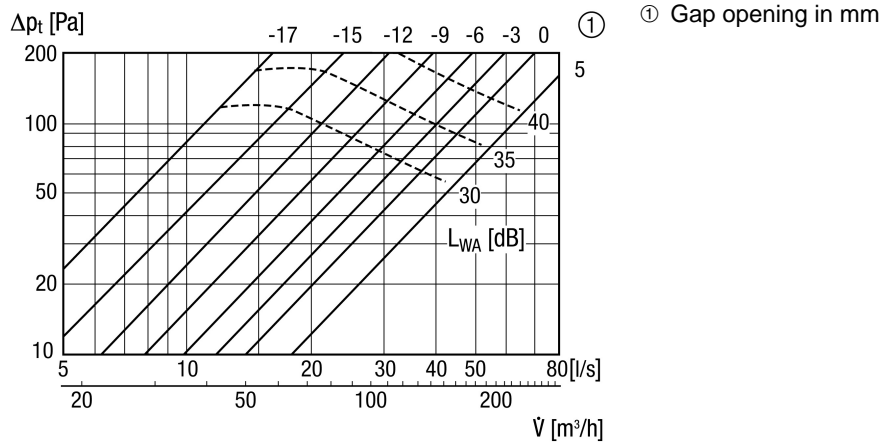
Article number 0151.0370

Technical data

Air direction	Air extraction
Max. volumetric flow	60 m ³ /h
Material	Sheet steel, galvanised
Colour	Pure white, similar to RAL 9010, gloss 70
Weight	0,26 kg
Weight including packaging	0,27 kg
Suitable for nominal size	125 mm
Width	160 mm
Height	188 mm
Depth	160 mm
Width with packaging	160 mm
Height with packaging	65 mm
Depth with packaging	160 mm
Packing unit	1 piece
Range	C
GTIN (EAN)	4012799513704

TFA 12

Characteristic curve



Dimensioned drawing [mm]

