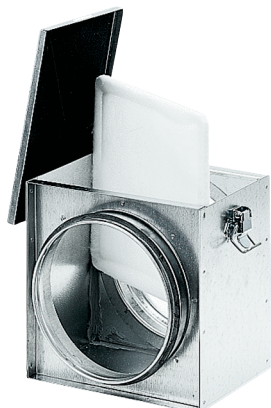


TFE 10-4



Short description

Air filter for duct installation, DN 100

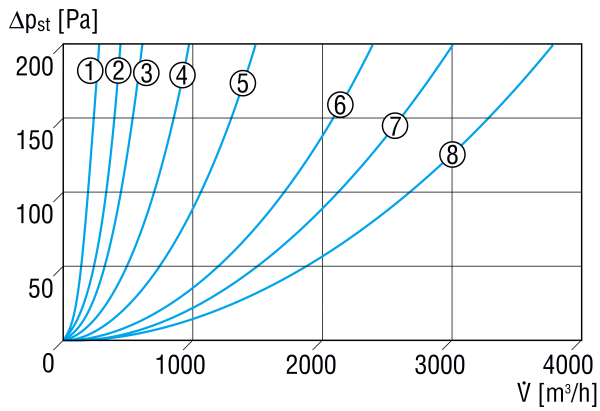
Article number 0149.0074

Technical data

Installation position	vertical / horizontal
Housing material	Sheet steel, galvanised
Weight	1,6 kg
Weight including packaging	1,73 kg
Filter class	ISO Coarse 70 % (G4)
Nominal size	100 mm
Width	205 mm
Height	165 mm
Depth	170 mm
Width with packaging	240 mm
Height with packaging	240 mm
Depth with packaging	180 mm
Ambient temperature	100 °C
Packing unit	1 piece
Range	C
GTIN (EAN)	4012799490746

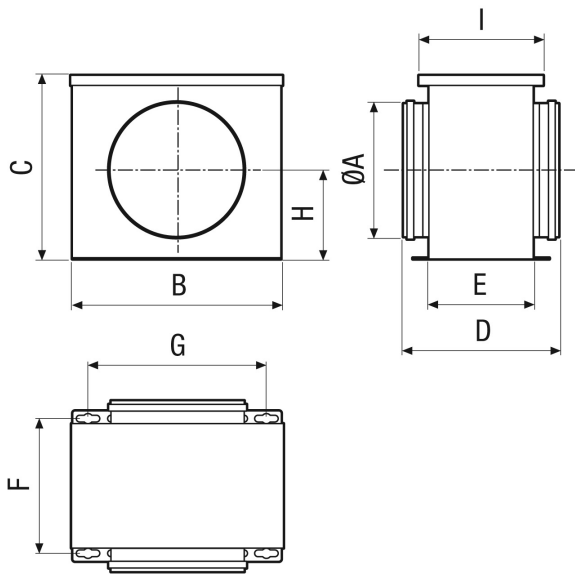
TFE 10-4

Characteristic curve Pressure losses



- ① TFE 10-4
- ② TFE 12-4
- ③ TFE 15-4, TFE 16-4
- ④ TFE 20-4
- ⑤ TFE 25-4
- ⑥ TFE 31-4
- ⑦ TFE 35-4
- ⑧ TFE 40-4

Dimensioned drawing [mm]



A	B	C	D	E	F	G	H	I
100	200	165	170	94	117	150	90	125