

# TFE 10-5



## Short description

Air filter for duct installation, DN 100

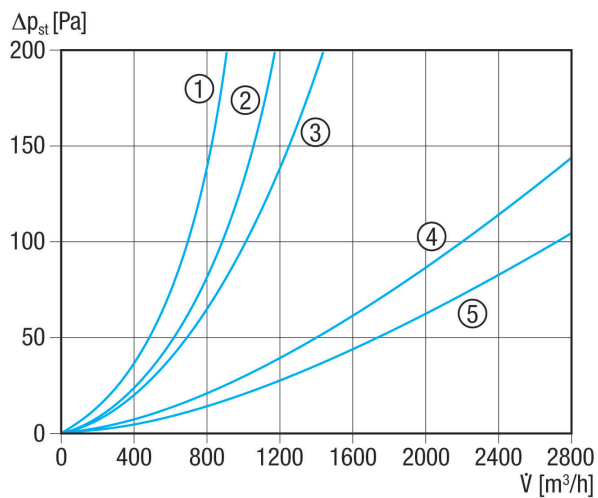
Article number 0149.0058

## Technical data

Installation position	vertical / horizontal
Housing material	Sheet steel, galvanised
Weight	3,87 kg
Weight including packaging	4,375 kg
Filter class	F5
Nominal size	100 mm
Width	360 mm
Height	330 mm
Depth	300 mm
Width with packaging	405 mm
Height with packaging	405 mm
Depth with packaging	415 mm
Ambient temperature	80 °C
Packing unit	1 piece
Range	C
GTIN (EAN)	4012799490586

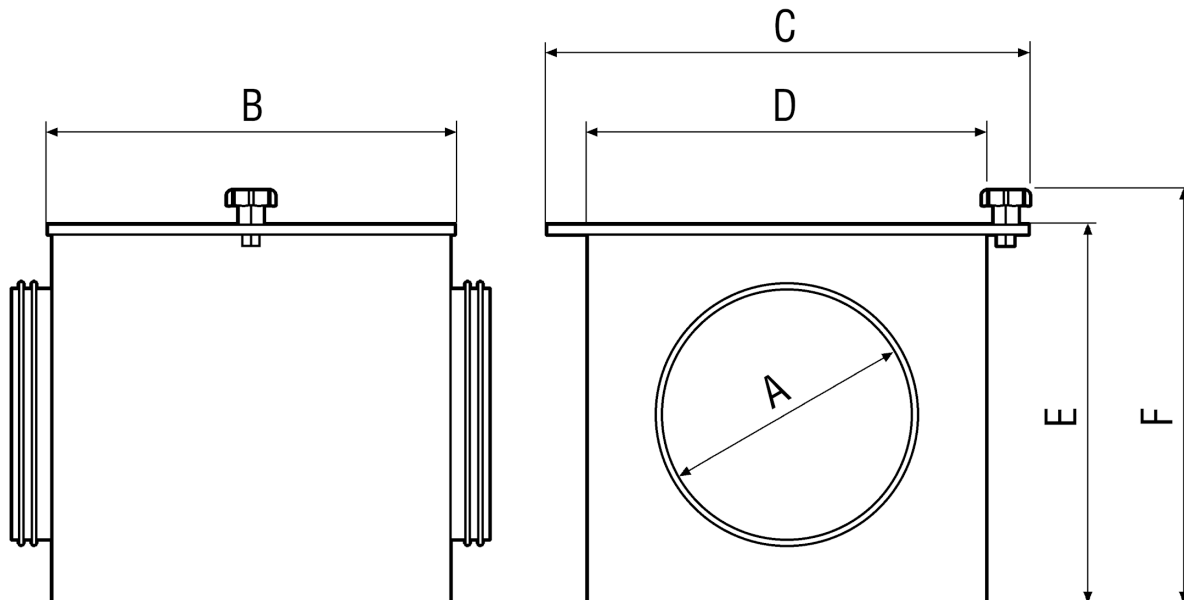
# TFE 10-5

## Characteristic curve Pressure losses



- ① TFE 10-5 to TFE 16-5
- ② TFE 20-5
- ③ TFE 25-5
- ④ TFE 31-5 and TFE 35-5
- ⑤ TFE 40-5

## Dimensioned drawing [mm]





# TFE 10-5

A	B	C	D	E	F
100	300	360	300	300	330