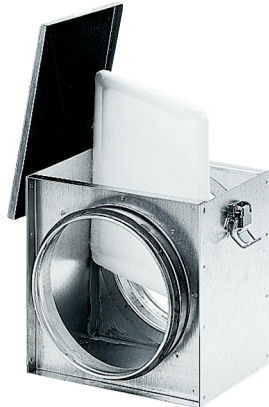


TFE 12-4



Short description

Air filter for duct installation, DN 125, ISO Coarse 70 % (G4)#

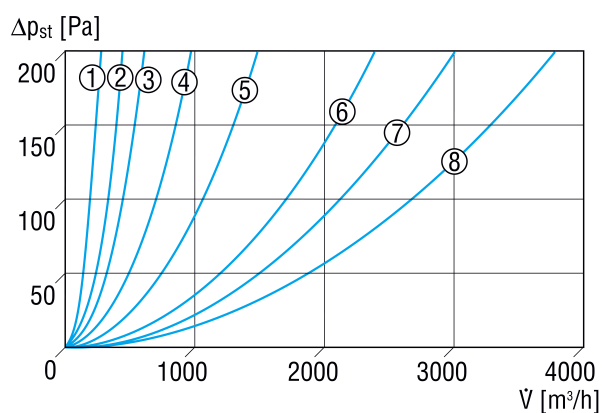
Article number 0149.0075

Technical data

Installation position	vertical / horizontal
Housing material	Sheet steel, galvanised
Weight	2 kg
Weight including packaging	2,19 kg
Filter class	ISO Coarse 70 % (G4)
Nominal size	125 mm
Width	210 mm
Height	200 mm
Depth	190 mm
Width with packaging	275 mm
Height with packaging	250 mm
Depth with packaging	220 mm
Ambient temperature	100 °C
Packing unit	1 piece
Range	C
GTIN (EAN)	4012799490753

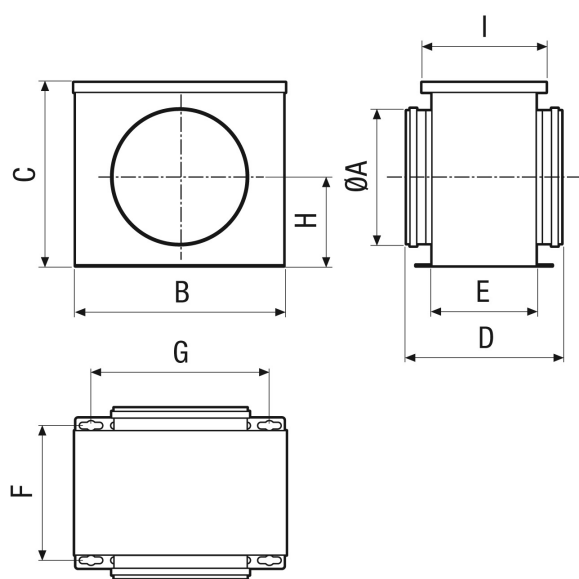
TFE 12-4

Characteristic curve Pressure losses



- ① TFE 10-4
- ② TFE 12-4
- ③ TFE 15-4, TFE 16-4
- ④ TFE 20-4
- ⑤ TFE 25-4
- ⑥ TFE 31-4
- ⑦ TFE 35-4
- ⑧ TFE 40-4

Dimensioned drawing [mm]



A	B	C	D	E	F	G	H	I
125	209	199	190	114	137	159	99,5	145