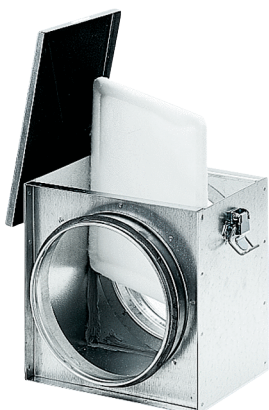


TFE 20-4



Short description

Air filter for duct installation, DN 200, ISO Coarse 70 % (G4)

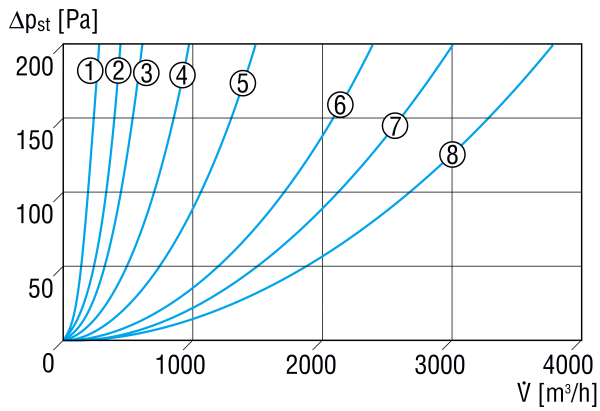
Article number 0149.0078

Technical data

Installation position	vertical / horizontal
Housing material	Sheet steel, galvanised
Weight	3,45 kg
Weight including packaging	3,78 kg
Filter class	ISO Coarse 70 % (G4)
Nominal size	200 mm
Width	310 mm
Height	275 mm
Depth	230 mm
Width with packaging	350 mm
Height with packaging	320 mm
Depth with packaging	300 mm
Ambient temperature	100 °C
Packing unit	1 piece
Range	C
GTIN (EAN)	4012799490784

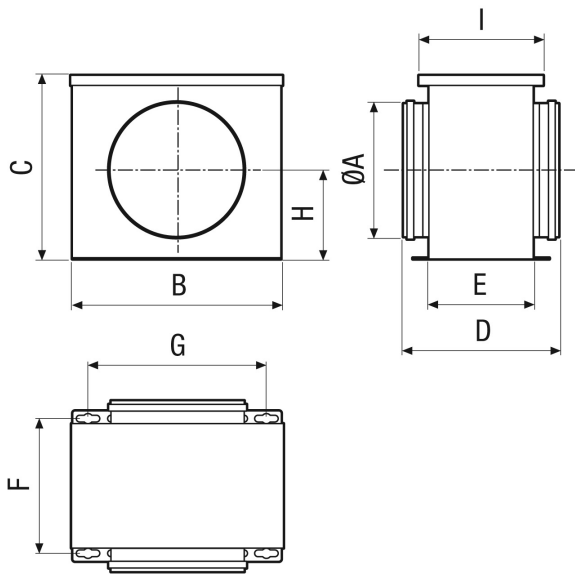
TFE 20-4

Characteristic curve Pressure losses



- ① TFE 10-4
- ② TFE 12-4
- ③ TFE 15-4, TFE 16-4
- ④ TFE 20-4
- ⑤ TFE 25-4
- ⑥ TFE 31-4
- ⑦ TFE 35-4
- ⑧ TFE 40-4

Dimensioned drawing [mm]



A	B	C	D	E	F	G	H	I
200	310	275	230	154	177	260	136	185