

# TFE 25-5



## Short description

Air filter for duct installation, DN 250

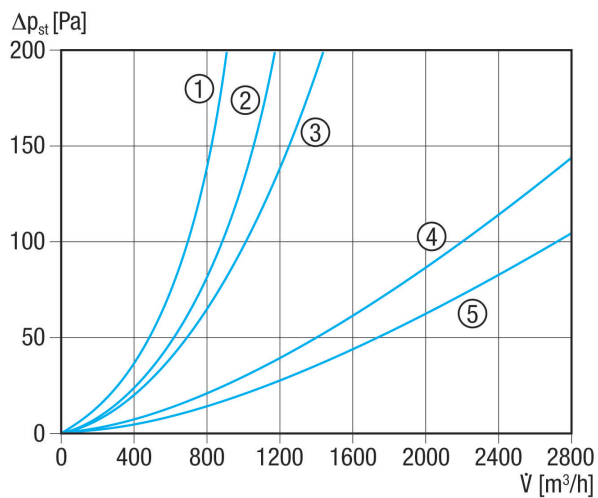
Article number 0149.0063

## Technical data

Installation position	vertical / horizontal
Housing material	Sheet steel, galvanised
Weight	4,5 kg
Weight including packaging	5 kg
Filter class	F5
Nominal size	250 mm
Width	360 mm
Height	330 mm
Depth	300 mm
Width with packaging	405 mm
Height with packaging	405 mm
Depth with packaging	415 mm
Ambient temperature	80 °C
Packing unit	1 piece
Range	C
GTIN (EAN)	4012799490630

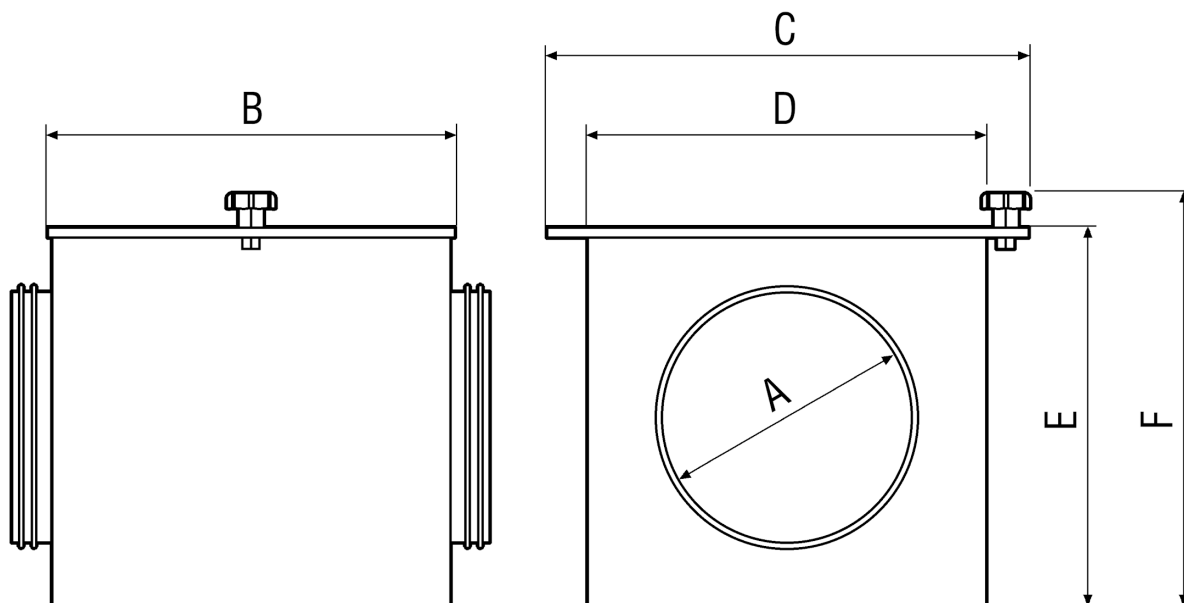
# TFE 25-5

## Characteristic curve Pressure losses



- ① TFE 10-5 to TFE 16-5
- ② TFE 20-5
- ③ TFE 25-5
- ④ TFE 31-5 and TFE 35-5
- ⑤ TFE 40-5

## Dimensioned drawing [mm]





# TFE 25-5

A	B	C	D	E	F
250	300	360	300	300	330