

TFE 31-4



Short description

Air filter for duct installation, DN 315

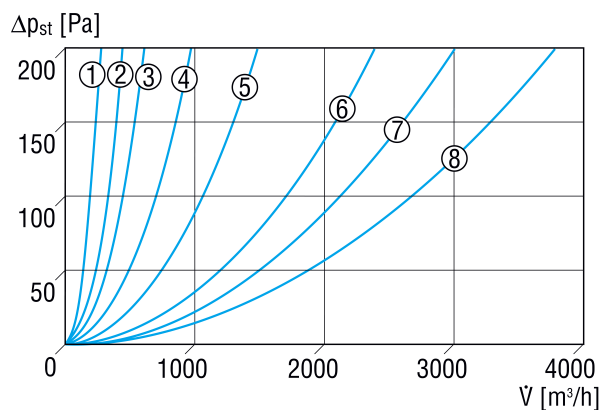
Article number 0149.0080

Technical data

Installation position	vertical / horizontal
Housing material	Sheet steel, galvanised
Weight	7,41 kg
Weight including packaging	8,03 kg
Filter class	ISO Coarse 70 % (G4)
Nominal size	315 mm
Width	425 mm
Height	390 mm
Depth	420 mm
Width with packaging	465 mm
Height with packaging	405 mm
Depth with packaging	470 mm
Ambient temperature	100 °C
Packing unit	1 piece
Range	C
GTIN (EAN)	4012799490807

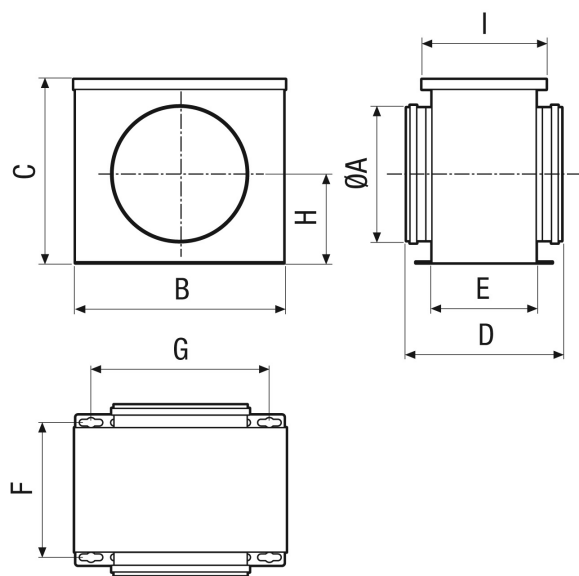
TFE 31-4

Characteristic curve Pressure losses



- ① TFE 10-4
- ② TFE 12-4
- ③ TFE 15-4, TFE 16-4
- ④ TFE 20-4
- ⑤ TFE 25-4
- ⑥ TFE 31-4
- ⑦ TFE 35-4
- ⑧ TFE 40-4

Dimensioned drawing [mm]



A	B	C	D	E	F	G	H	I
315	421,5	385	420	304	327	371,5	192,5	335