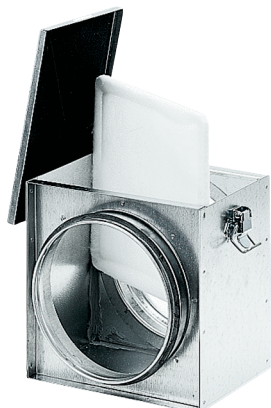


# TFE 35-4



## Short description

Air filter for duct installation, DN 355

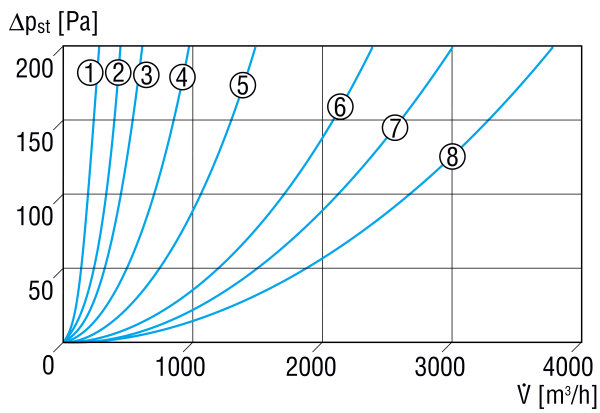
Article number 0149.0081

## Technical data

Installation position	vertical / horizontal
Housing material	Sheet steel, galvanised
Weight	12,11 kg
Weight including packaging	12,99 kg
Filter class	ISO Coarse 70 % (G4)
Nominal size	355 mm
Width	505 mm
Height	495 mm
Depth	550 mm
Width with packaging	510 mm
Height with packaging	550 mm
Depth with packaging	610 mm
Ambient temperature	100 °C
Packing unit	1 piece
Range	C
GTIN (EAN)	4012799490814

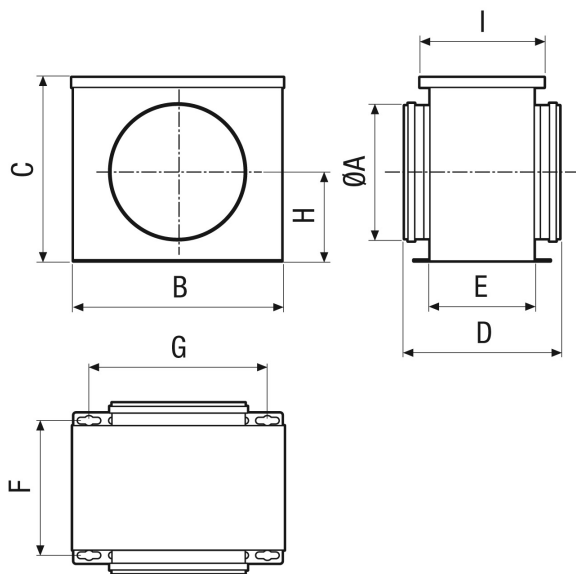
# TFE 35-4

## Characteristic curve Pressure losses



- ① TFE 10-4
- ② TFE 12-4
- ③ TFE 15-4, TFE 16-4
- ④ TFE 20-4
- ⑤ TFE 25-4
- ⑥ TFE 31-4
- ⑦ TFE 35-4
- ⑧ TFE 40-4

## Dimensioned drawing [mm]



A	B	C	D	E	F	G	H	I
355	504	491	545	429	454	452	245,5	460