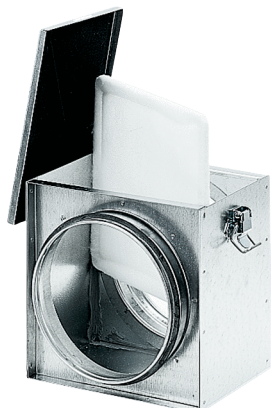


TFE 40-4



Short description

Air filter for duct installation, DN 400

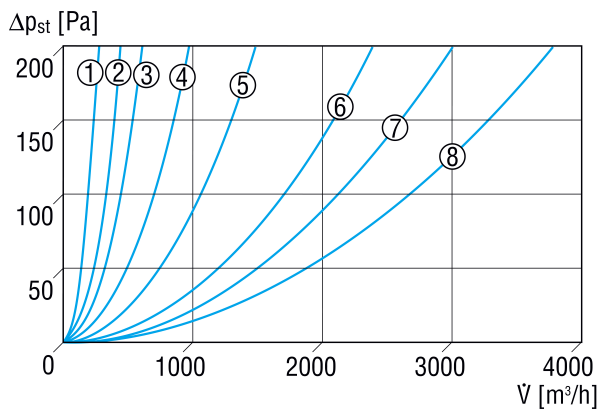
Article number 0149.0082

Technical data

Installation position	vertical / horizontal
Housing material	Sheet steel, galvanised
Weight	11,87 kg
Weight including packaging	12,7 kg
Filter class	ISO Coarse 70 % (G4)
Nominal size	400 mm
Width	505 mm
Height	495 mm
Depth	570 mm
Width with packaging	515 mm
Height with packaging	545 mm
Depth with packaging	610 mm
Ambient temperature	100 °C
Packing unit	1 piece
Range	C
GTIN (EAN)	4012799490821

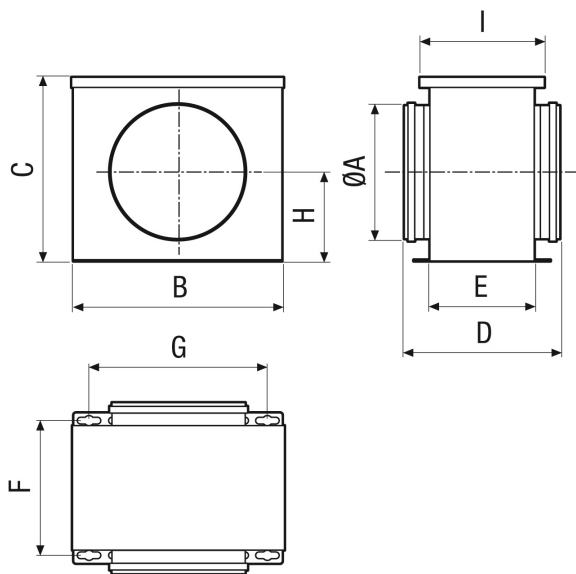
TFE 40-4

Characteristic curve Pressure losses



- ① TFE 10-4
- ② TFE 12-4
- ③ TFE 15-4, TFE 16-4
- ④ TFE 20-4
- ⑤ TFE 25-4
- ⑥ TFE 31-4
- ⑦ TFE 35-4
- ⑧ TFE 40-4

Dimensioned drawing [mm]



A	B	C	D	E	F	G	H	I
400	504	491	565	429	452	454	245,5	460