

# TFP 28



## Short description

ISO Coarse 85 % (G4) air filter for channel installation, channel dimensions 600 mm x 300 mm

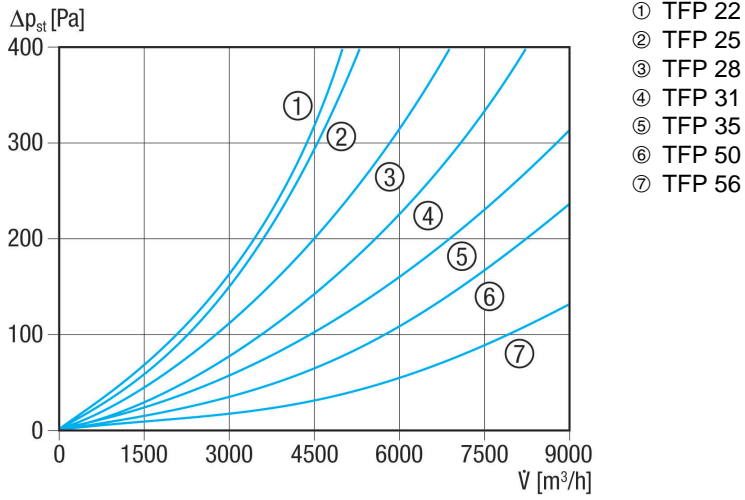
Article number 0149.0033

## Technical data

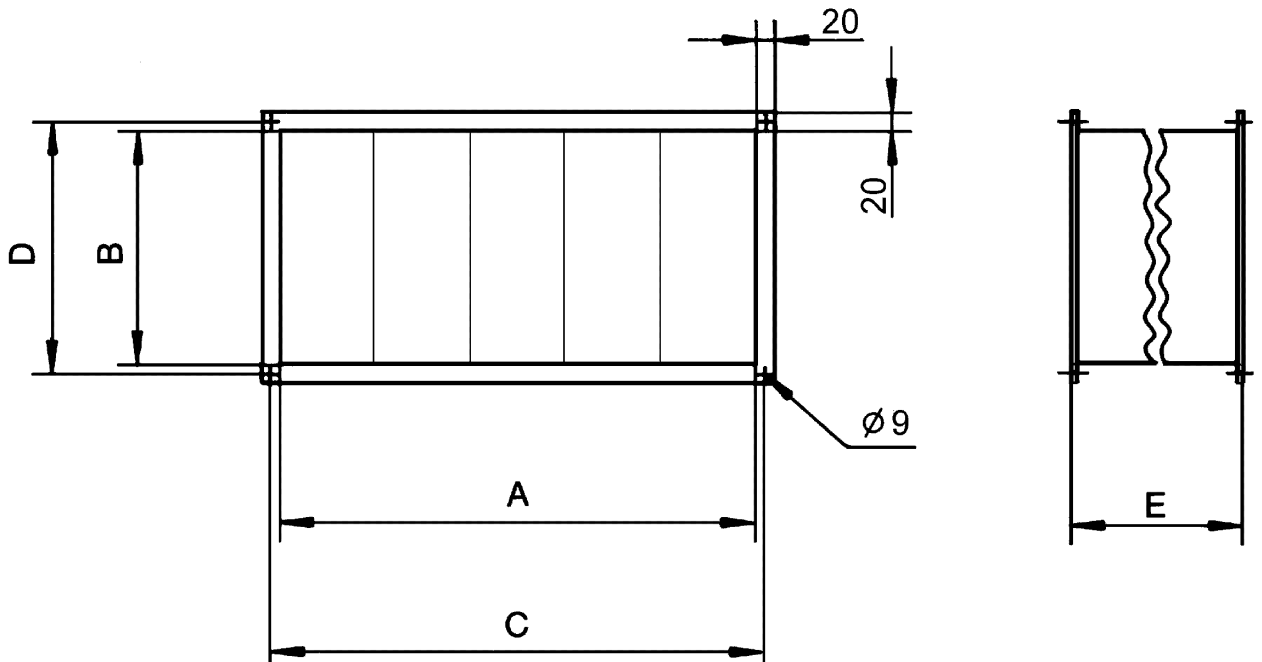
Installation site	Channel
Installation position	vertical / horizontal
Housing material	Sheet steel, galvanised
Weight	10,6 kg
Weight including packaging	10,6 kg
Filter class	ISO Coarse 85 % (G4)
Channel dimension	600 mm x 300 mm
Width	640 mm
Height	340 mm
Depth	550 mm
Width with packaging	640 mm
Height with packaging	340 mm
Depth with packaging	550 mm
Airstream temperature at I <sub>Max</sub>	70 °C
Packing unit	1 piece
Range	D
GTIN (EAN)	4012799490333

# TFP 28

## Characteristic curve TFP pressure losses



## Dimensioned drawing [mm]



A	B	C	D	E
600	300	620	320	550

TFP 28

