

TFP 31-7



Short description

ISO ePM1 80 % (F7) air filter for channel installation, channel dimensions 600 mm x 350 mm

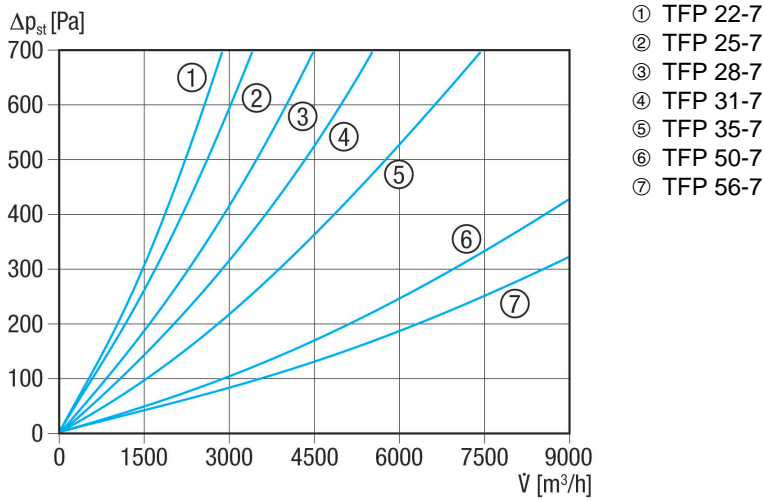
Article number 0149.0070

Technical data

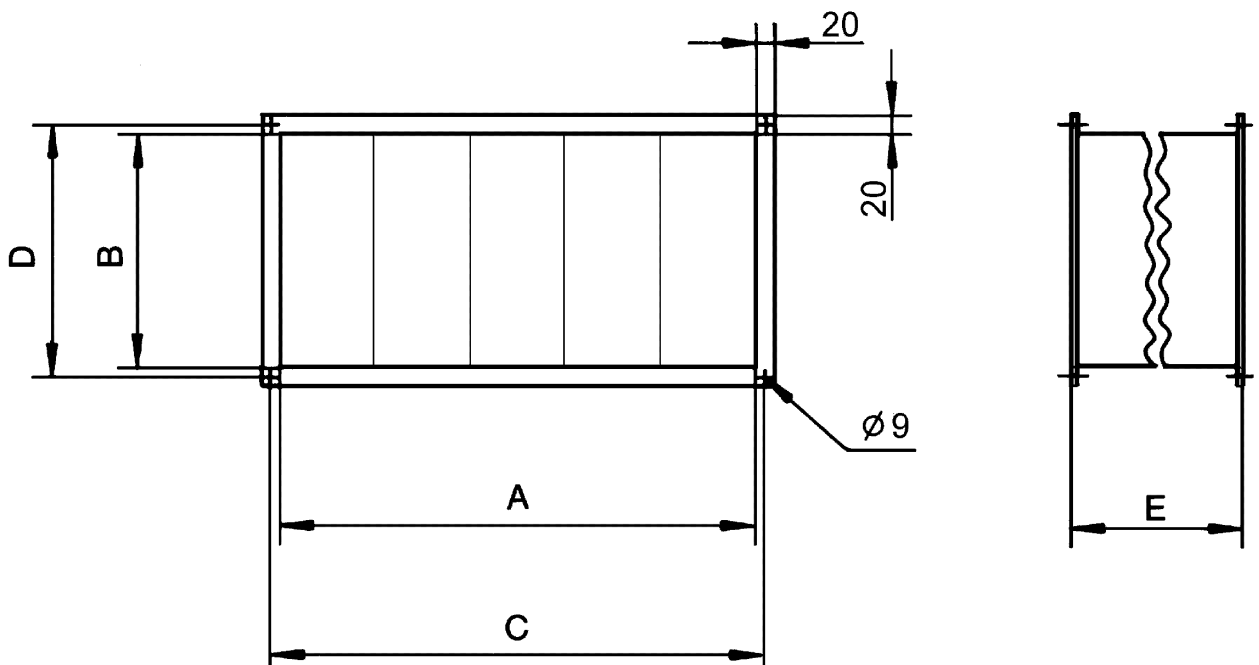
Installation site	Channel
Installation position	vertical / horizontal
Housing material	Sheet steel, galvanised
Weight	12,99 kg
Weight including packaging	13 kg
Type of filter	Dust and pollen filter
Filter class	ISO ePM1 80 % (F7)
Channel dimension	600 mm x 350 mm
Width	640 mm
Height	390 mm
Depth	600 mm
Width with packaging	640 mm
Height with packaging	390 mm
Depth with packaging	600 mm
Airstream temperature at I _{Max}	70 °C
Packing unit	1 piece
Range	D
GTIN (EAN)	4012799490708

TFP 31-7

Characteristic curve TFP-7 pressure losses



Dimensioned drawing [mm]



A	B	C	D	E
600	350	620	370	600



TFP 31-7