

TFP 35



Short description

ISO Coarse 85 % (G4) air filter for channel installation, channel dimensions 700 mm x 400 mm

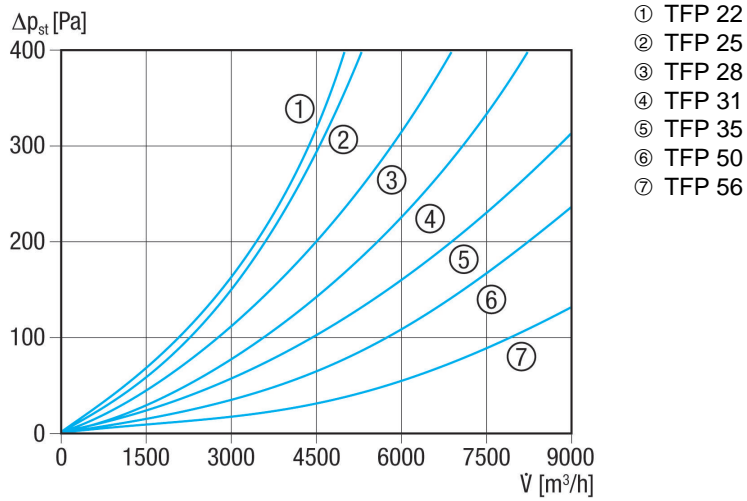
Article number 0149.0035

Technical data

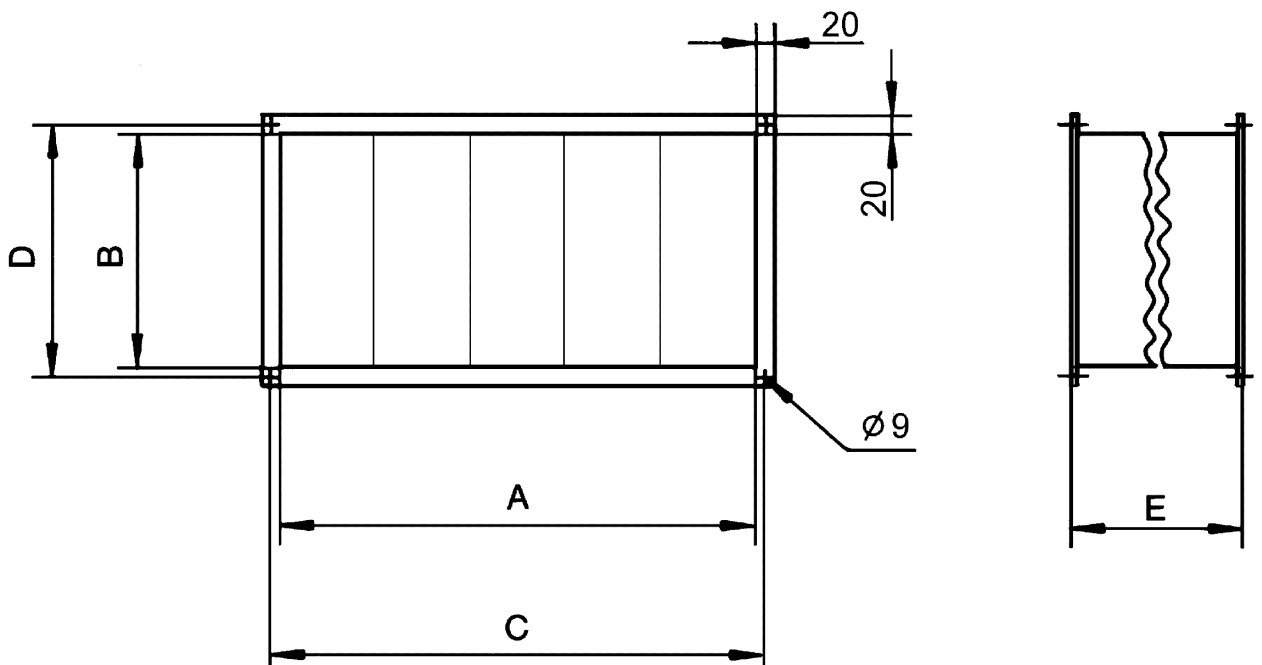
Installation site	Channel
Installation position	vertical / horizontal
Housing material	Sheet steel, galvanised
Weight	14,3 kg
Weight including packaging	14,3 kg
Filter class	ISO Coarse 85 % (G4)
Channel dimension	700 mm x 400 mm
Width	740 mm
Height	440 mm
Depth	600 mm
Width with packaging	740 mm
Height with packaging	440 mm
Depth with packaging	600 mm
Airstream temperature at I _{Max}	70 °C
Packing unit	1 piece
Range	D
GTIN (EAN)	4012799490357

TFP 35

Characteristic curve TFP pressure losses



Dimensioned drawing [mm]



A	B	C	D	E
700	400	720	420	600

TFP 35

