

TFP 50-7



Short description

ISO ePM1 80 % (F7) air filter for ventilation channels 800 mm x 500 mm

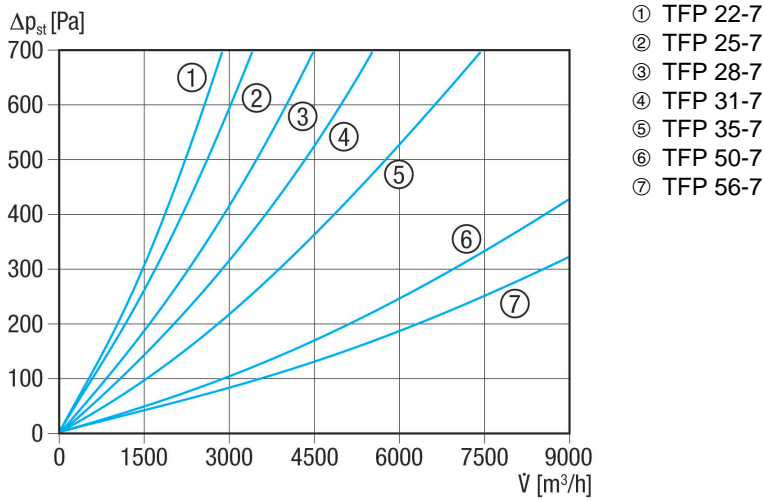
Article number 0149.0072

Technical data

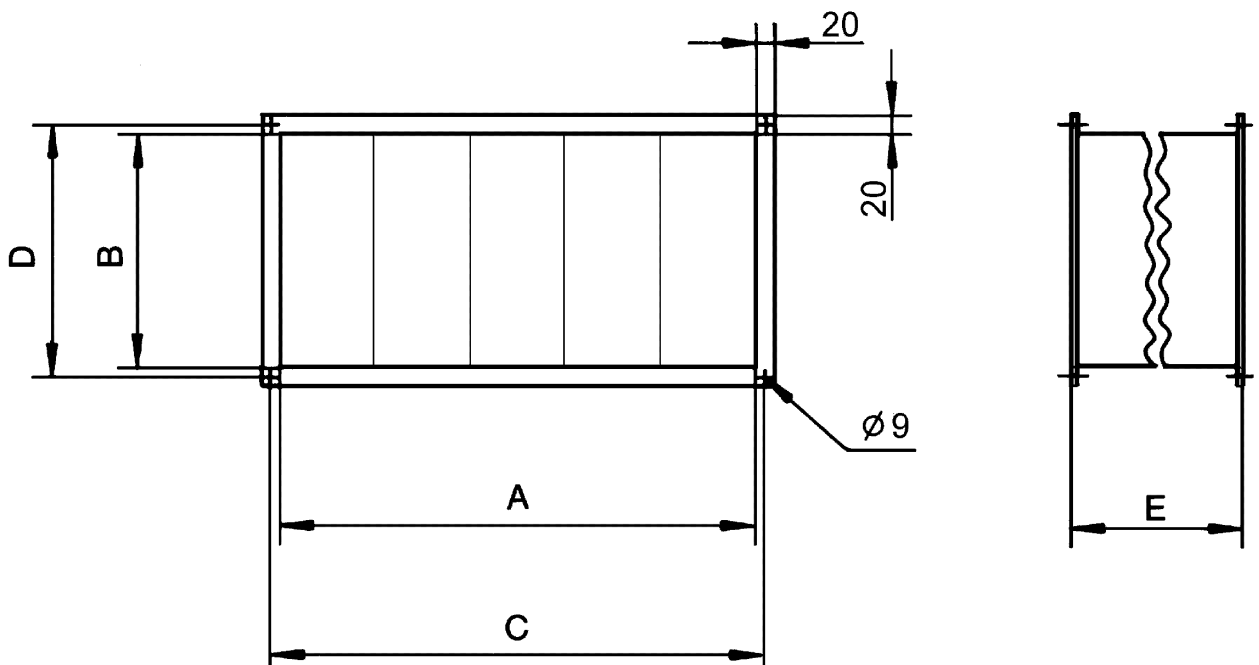
Installation site	Channel
Installation position	vertical / horizontal
Housing material	Sheet steel, galvanised
Weight	20,27 kg
Weight including packaging	20,3 kg
Type of filter	Dust and pollen filter
Filter class	ISO ePM1 80 % (F7)
Channel dimension	800 mm x 500 mm
Width	840 mm
Height	540 mm
Depth	700 mm
Width with packaging	840 mm
Height with packaging	540 mm
Depth with packaging	700 mm
Airstream temperature at I _{Max}	70 °C
Packing unit	1 piece
Range	D
GTIN (EAN)	4012799490722

TFP 50-7

Characteristic curve TFP-7 pressure losses



Dimensioned drawing [mm]



A	B	C	D	E
800	500	820	520	700

TFP 50-7

