

TFP 50



Short description

ISO Coarse 85 % (G4) air filter for ventilation channels 800 mm x 500 mm

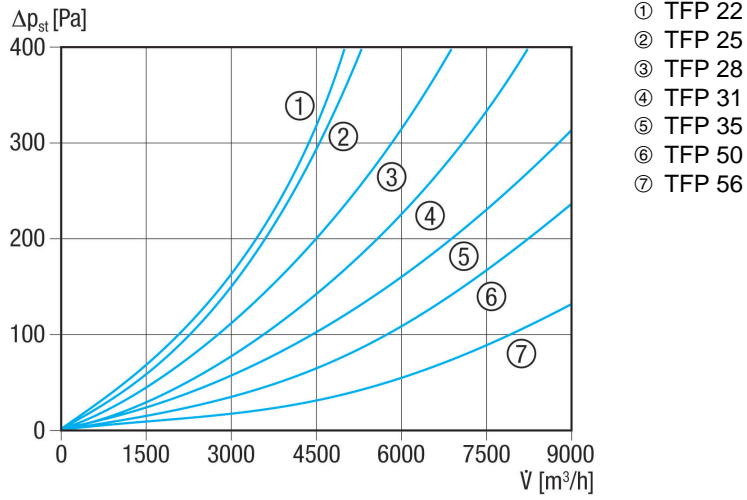
Article number 0149.0036

Technical data

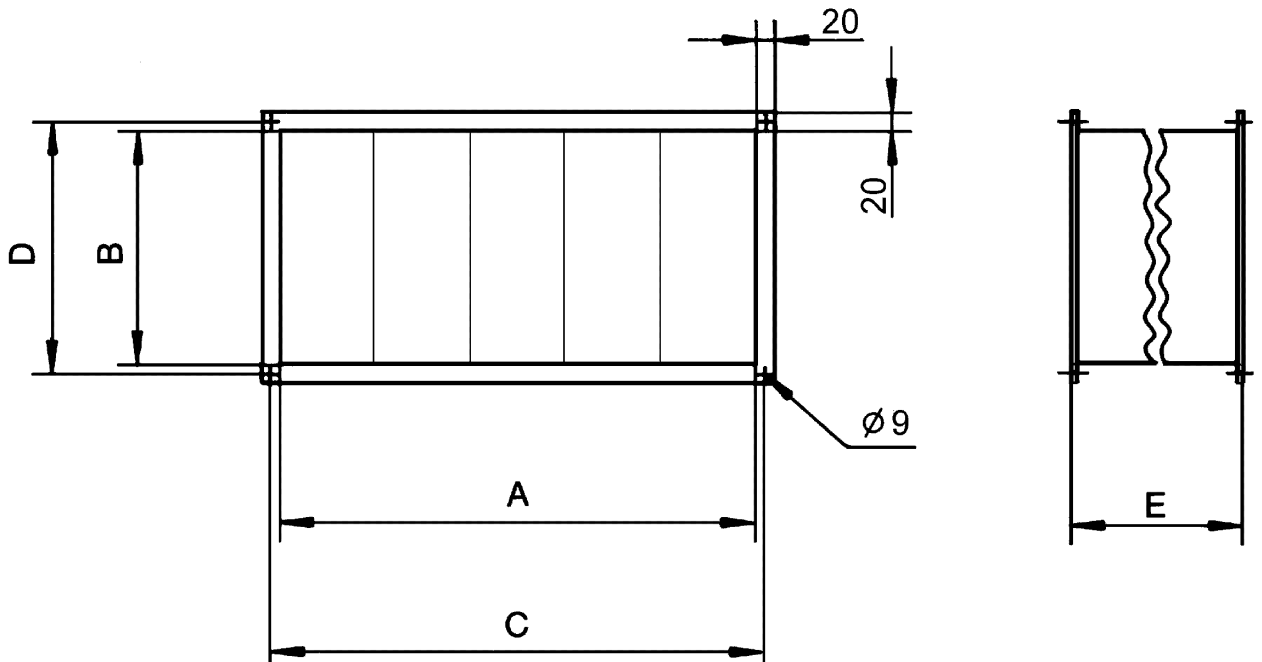
Installation site	Channel
Installation position	vertical / horizontal
Housing material	Sheet steel, galvanised
Weight	20 kg
Weight including packaging	20,37 kg
Filter class	ISO Coarse 85 % (G4)
Channel dimension	800 mm x 500 mm
Width	840 mm
Height	540 mm
Depth	700 mm
Width with packaging	840 mm
Height with packaging	540 mm
Depth with packaging	700 mm
Airstream temperature at I _{Max}	70 °C
Packing unit	1 piece
Range	D
GTIN (EAN)	4012799490364

TFP 50

Characteristic curve TFP pressure losses



Dimensioned drawing [mm]



A	B	C	D	E
800	500	820	520	700

TFP 50

