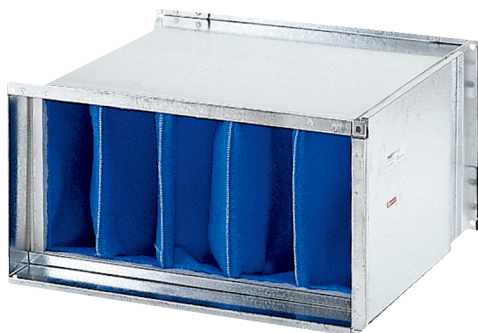


TFP 56



Short description

ISO Coarse 85 % (G4) air filter for ventilation channels,
1000 mm x 500 mm

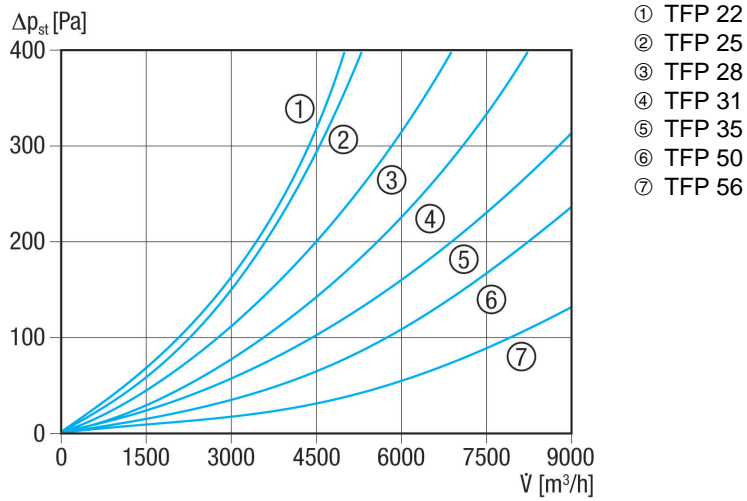
Article number 0149.0037

Technical data

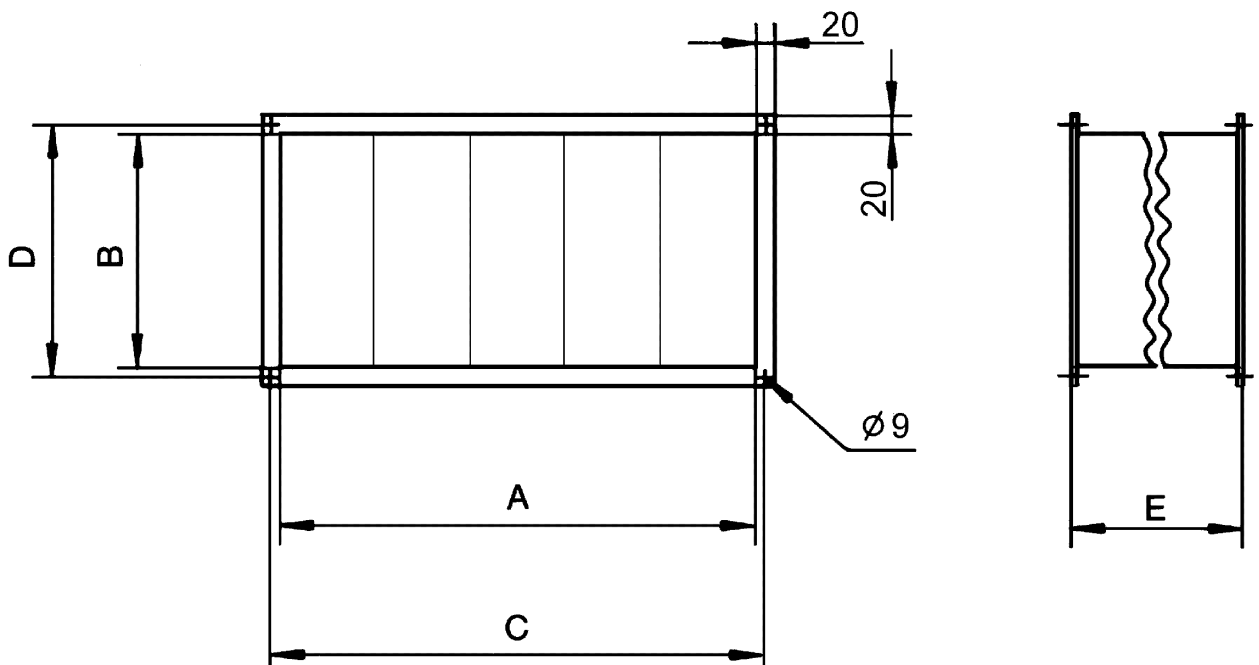
Installation site	Channel
Installation position	vertical / horizontal
Housing material	Sheet steel, galvanised
Weight	22,5 kg
Weight including packaging	22,54 kg
Filter class	ISO Coarse 85 % (G4)
Channel dimension	1.000 mm x 500 mm
Width	1.040 mm
Height	540 mm
Depth	700 mm
Width with packaging	1.040 mm
Height with packaging	540 mm
Depth with packaging	700 mm
Airstream temperature at I _{Max}	70 °C
Packing unit	1 piece
Range	D
GTIN (EAN)	4012799490371

TFP 56

Characteristic curve TFP pressure losses



Dimensioned drawing [mm]



A	B	C	D	E
1.000	500	1.020	520	700

TFP 56

