

# TK 12



## Short description

Disk valve for supply and exhaust air, plastic, with mounting ring, DN 125 for domestic ventilation max. 60 m<sup>3</sup>/h

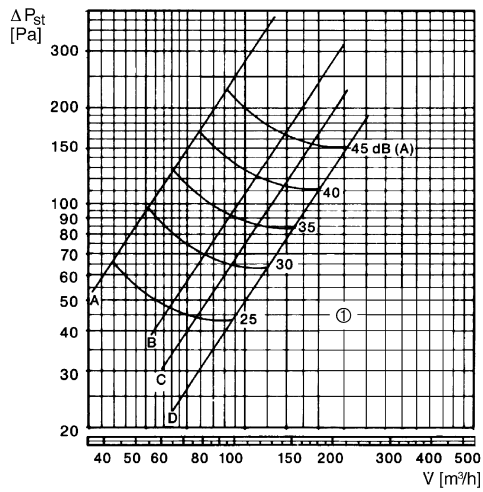
Article number 0151.0198

## Technical data

Air direction	Ventilation and air extraction
Max. volumetric flow	60 m <sup>3</sup> /h
Material	Synthetic material, antistatic
Colour	Pure white, similar to RAL 9010
Weight	0,18 kg
Weight including packaging	0,18 kg
Suitable for nominal size	125 mm
Width	170 mm
Height	170 mm
Depth	70 mm
Width with packaging	175 mm
Height with packaging	175 mm
Depth with packaging	75 mm
Packing unit	1 piece
Range	C
GTIN (EAN)	4012799511984

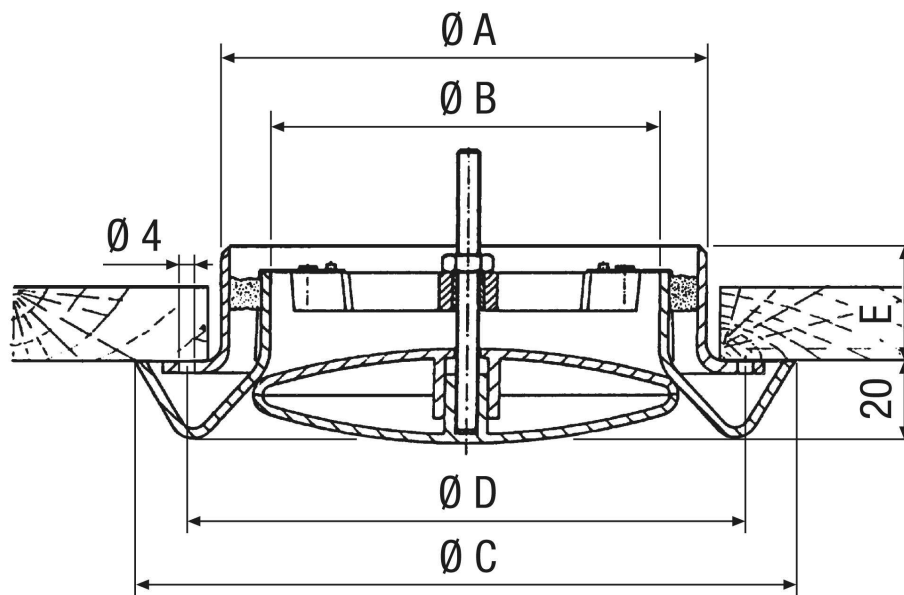
# TK 12

Characteristic curve Pressure difference and acoustic data: TK 12



① 20 revolutions, 1 mm stroke height per revolution  
 A: 1/4 open, B: 1/2 open, C: 3/4 open, D: open all the way

Dimensioned drawing [mm]





# TK 12

A	B	C	D	E
124	100	145	170	50