

TK 15



Short description

Disk valve for supply and exhaust air, plastic, with mounting ring, DN 150 for domestic ventilation max. 150 m³/h (Please note pressure losses and noise values)

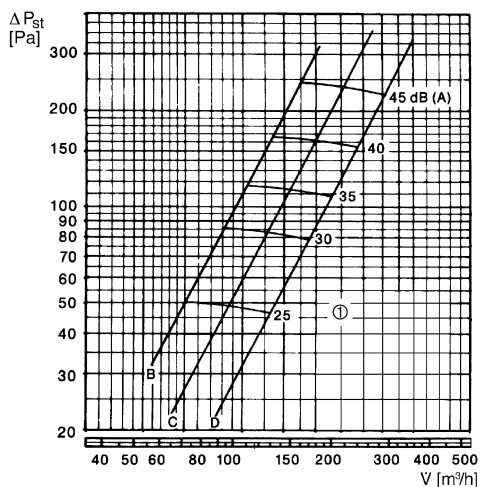
Article number 0151.0193

Technical data

Air direction	Ventilation and air extraction
Max. volumetric flow	150 m ³ /h
Material	Synthetic material, antistatic
Colour	Pure white, similar to RAL 9010
Weight	0,21 kg
Weight including packaging	0,23 kg
Suitable for nominal size	150 mm
Width	190 mm
Height	190 mm
Depth	53 mm
Width with packaging	191 mm
Height with packaging	191 mm
Depth with packaging	65 mm
Packing unit	1 piece
Range	C
GTIN (EAN)	4012799511939

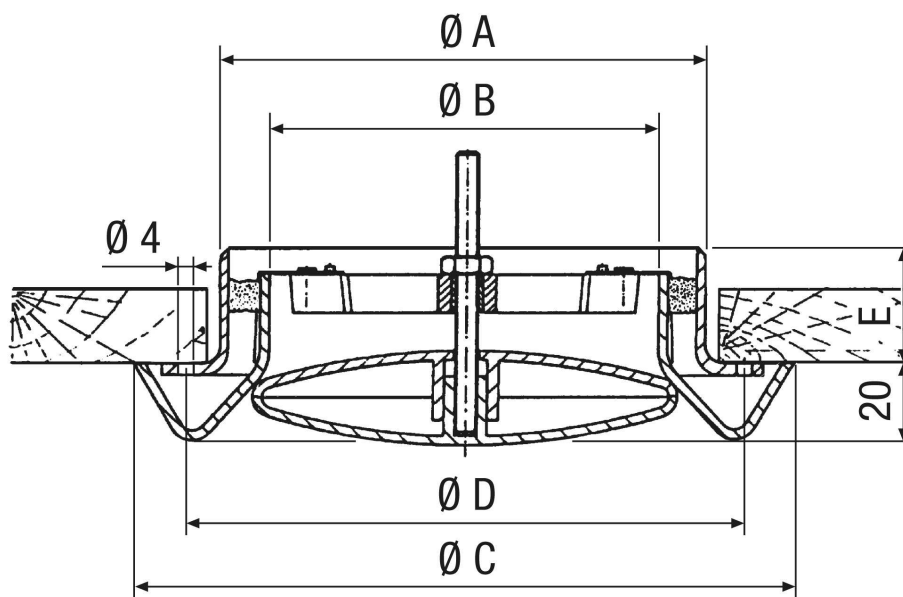
TK 15

Characteristic curve Pressure difference and acoustic data: TK 15



① 14 revolutions, 1,4 mm stroke height per revolution
 A: 1/4 open, B: 1/2 open, C: 3/4 open, D: open all the way

Dimensioned drawing [mm]





TK 15

A	B	C	D	E
149	120	166	190	33